

PLATE SCHEDULE

- P-1 PLATFORMS
- F-1 FALSE PROSCENIUM
- F-2 PLATFORM "HOUSE" FLATS
- F-3 MASKING FLATS
- X-1 CUTTING DETAIL

NOTES FOR ALL PLATES AND CONSTRUCTION:

1. UNLESS OTHERWISE SPECIFIED, GLUE MUST BE USED ON ALL JOINTS AND CONNECTIONS
2. UNLESS OTHERWISE SPECIFIED, CARPENTER MAY CHOOSE FASTENER TYPES.
3. STEP FACINGS SHALL BE INSTALLED AFTER CARRIAGE AND PLATS ARE IN PLACE.

NOTES FOR ALL PLATFORM CONSTRUCTION:

1. GLUE MUST BE USED ON ALL JOINTS AND CONNECTIONS IN PLATFORM CONSTRUCTION
2. UNLESS OTHERWISE SPECIFIED, CARPENTER MAY CHOOSE FASTENER TYPES.
3. BANDING SHOULD BE AT LEAST 1-1/2" WIDTH MINIMUM, SPACE 2" FROM FLOOR.
4. ALL LEGS OF 2'-6" HEIGHT (50") MUST BE BOLTED USING A MINIMUM OF 3/8" BOLTS.
5. WHEN PLATFORMS ARE JOINED AND LEGS ARE BOLTED, USE OF FLATHEAD BOLTS ARE REQUIRED.
6. ALL BOLTS CONNECTING PLATFORMS SHALL BE AT LEAST 3/8" GRADE 2 BOLTS WITH WASHERS ON EACH SIDE OF CONNECTION.
7. ALL FACINGS MUST BE ATTACHED WITH A MINIMUM OF 1 1/4" #2 DRYWALL SCREWS SPACED ON 8" CENTERS. DO NOT GLUE FACINGS. DO NOT USE STAPLES TO ATTACH FACINGS.
8. ALL JOINTS IN FACINGS MUST BE FILLED VIA BONDO OR OTHER TD APPROVED FILLER.
9. ALL JOINTS ON FACINGS MUST BE MITERED.
10. ALL ACTING ESCAPE LEVELS ABOVE 1'-6" (18") MUST HAVE GARD RAILS AS DETAILED ON LEVELS AS DETAILED ON PLATE P2 AND P3.
11. ALL ONSTAGE PLATFORM LEVELS MUST HAVE A TOE STRIP (3/4" X 5/4") INSTALLED ON THE EDGES.
12. SEE P3 FOR DETAILS ON CARRIAGE ATTACHMENTS
13. ALL PLATFORM SURFACES MUST HAVE HOLES FILLED AND NO FASTENERS PROTRUDING ABOVE LEVEL.
14. CUT ALL LIDS AND THEN FRAME MATERIALS TO LID. (EXCLUDES ANY STEEL WORK)

NOTES FOR ALL FLAT CONSTRUCTION:

1. GLUE MUST BE USED ON ALL CONNECTIONS IN FLATS, REGARDLESS OF ORIENTATION.
2. ALL FLATS MUST BE ASSEMBLED USING STAPLES. USE OF SCREWS IS NOT ALLOWED.
3. ORIENTATION OF GRAIN ON ALL CORNERBLOCKS AND KEYSONES IS ESSENTIAL.
4. HARD COVER ALL FLATS. NOTE BENE MATCH LINES FOR LAUAN.
5. ANY DOUBLE SIDED FLAT SHOULD BE CORRELIGATED FASTENED AT ALL FRAME POINTS
6. DOOR OPENINGS RECEIVE STANDARD 1-1/2" SLAM STRIP. HARDWARE NEEDS TO BE PRACTICAL.
7. SEE DESIGNER DRAWINGS FOR DETAILS ON DOOR OPENINGS WITHOUT DOORS
8. ALL SEAMS ON WALLS MUST BE BONDO FILLED, OR FILLED WITH A TD APPROVED ALTERNATE
9. UNLESS OTHERWISE INDICATED, ALL ELEVATIONS ARE FRONT ELEVATIONS OF THE FLATS

These drawings are instruments of service and as such remain the property of the creator. No copies or reproductions are permitted without the consent of the creator. Copyright (C) 2019

FLORIDA ATLANTIC UNIVERSITY

777 GLADES ROAD
 BOCA RATON, FL 33431
 PHONE: (561)297-3810, TD: (561)715-9898
 FAX: (561)297-0611

MARK	DATE	REVISIONS/ISSUES
1		
2		
3		
4		
5		
6		
7		

NEXT TO NORMAL

THEATRE: STUDIO ONE THEATRE @ FAU

DESIGNER: M. McCLAIN

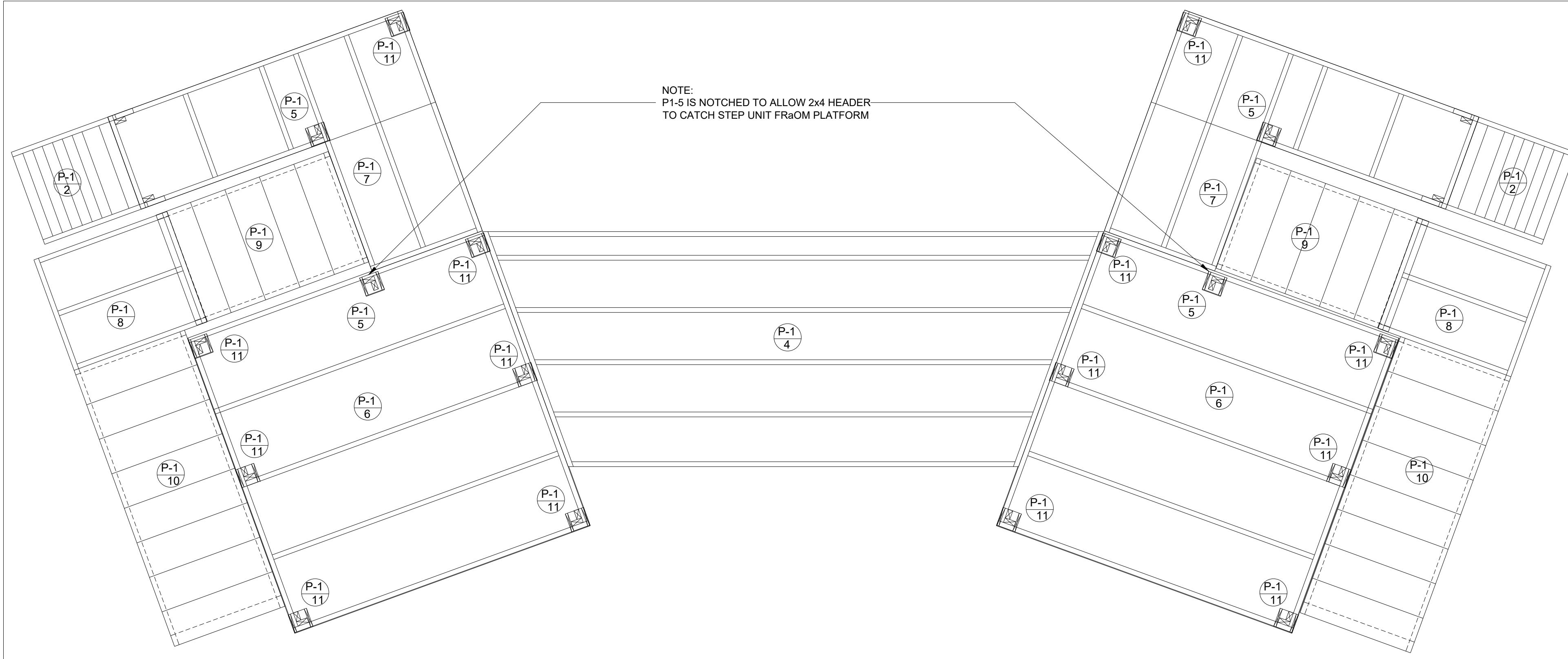
DIRECTOR: L. MCNUTT

ISSUE DATE: 3-10-19

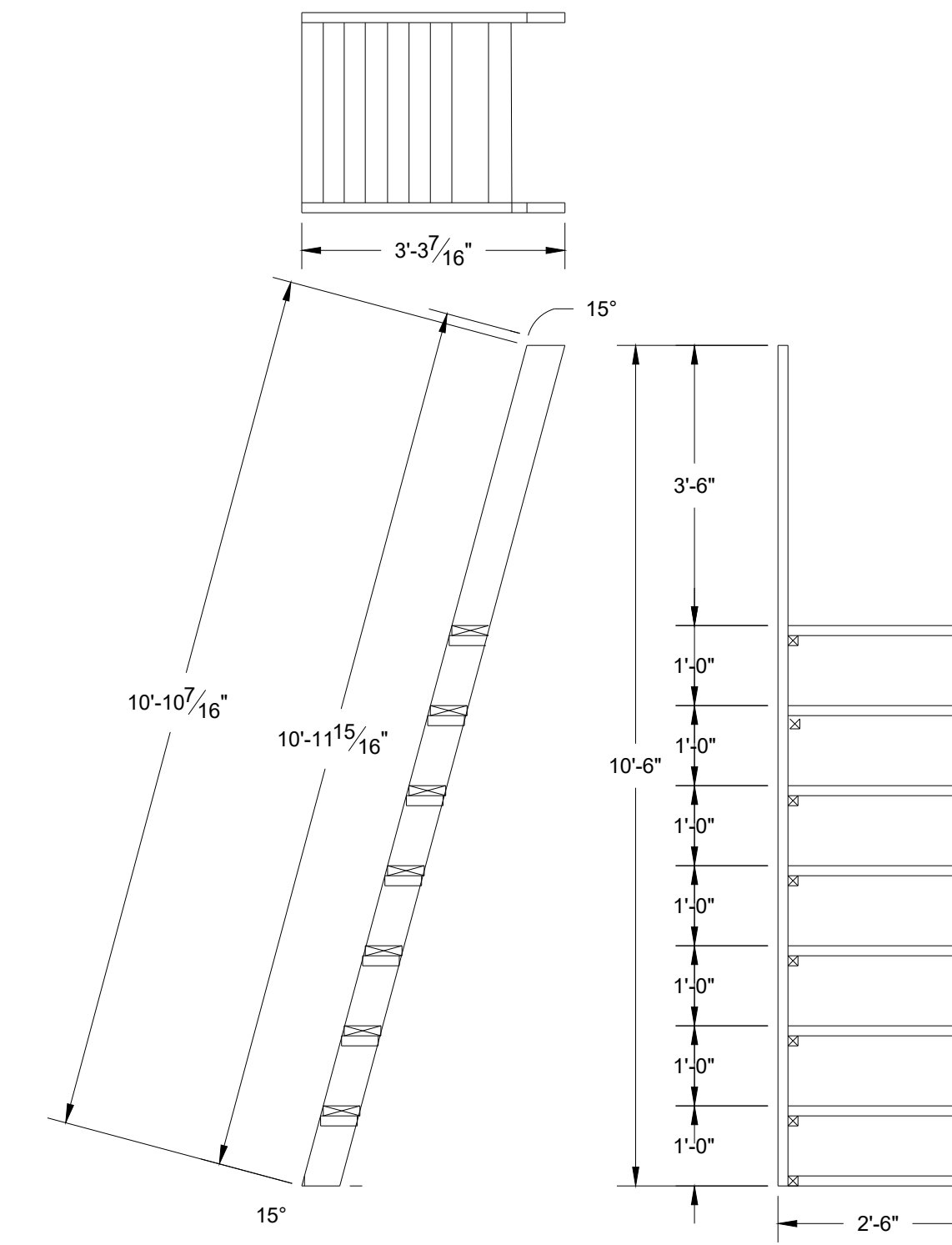
AY SPRING 2019

PLATE NUMBER
CVR

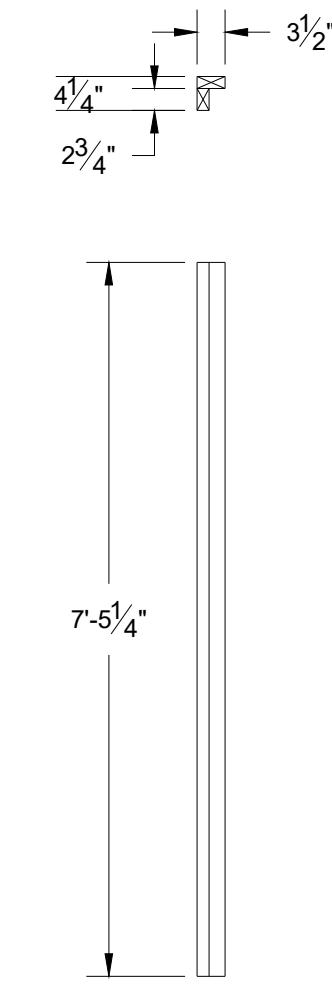
SCALE:
1/2" = 1'-0"



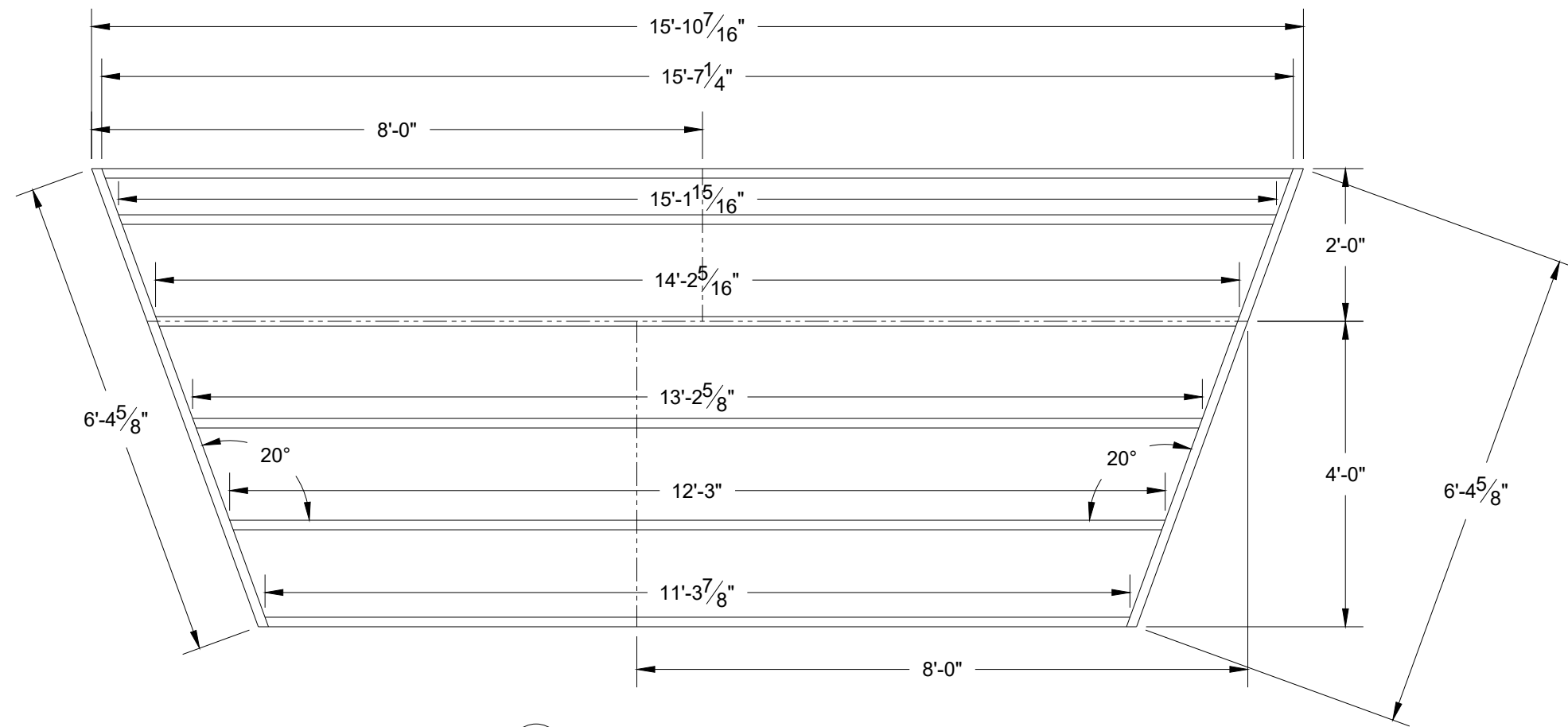
P-1 HOUSE PLATFORM
BUILD 1



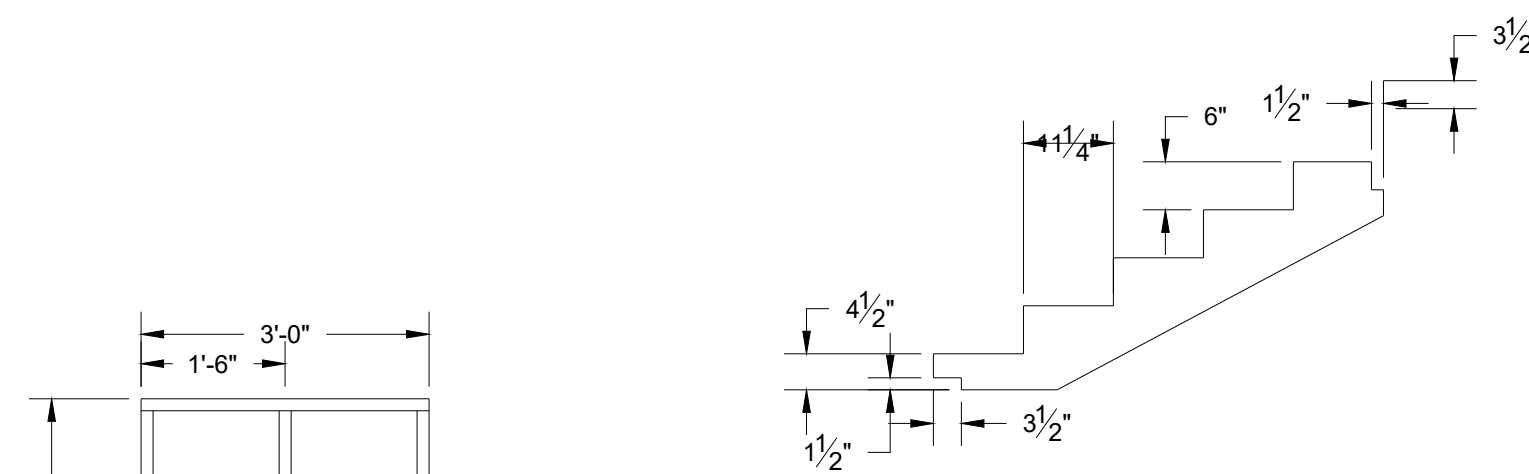
P-1 ESCAPE STAIRS
BUILD 2



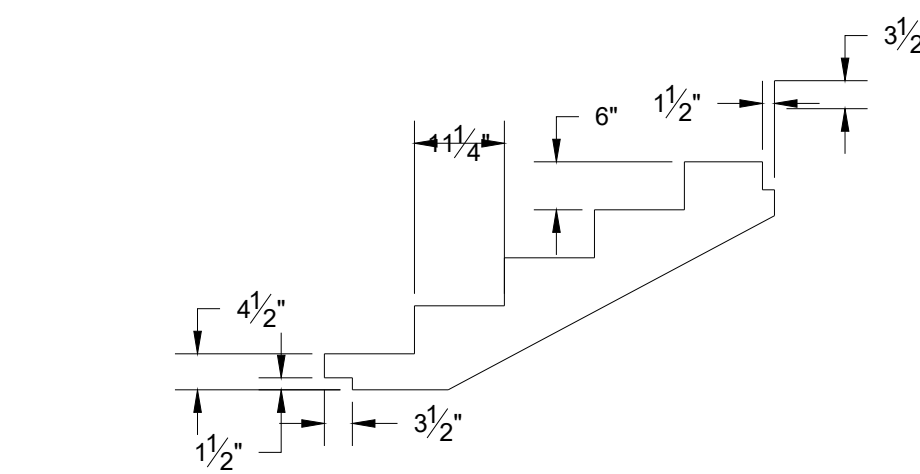
P-1 HOGSTROUGH LEG
BUILD 18



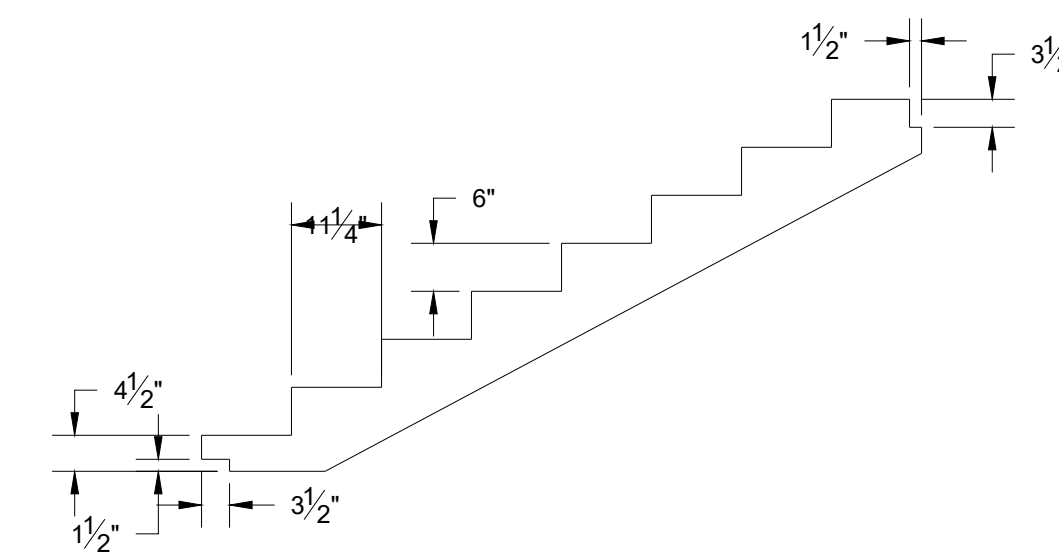
P-1 SKY DECK
BUILD 1 2x12 CONSTRUCTION



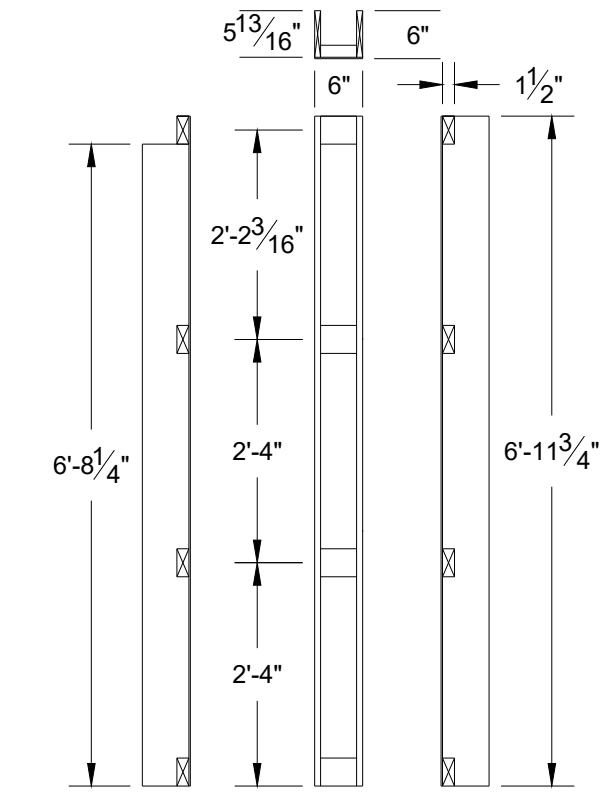
P-1 STEP LANDING
BUILD 2 2x6 CONSTRUCTION R&R



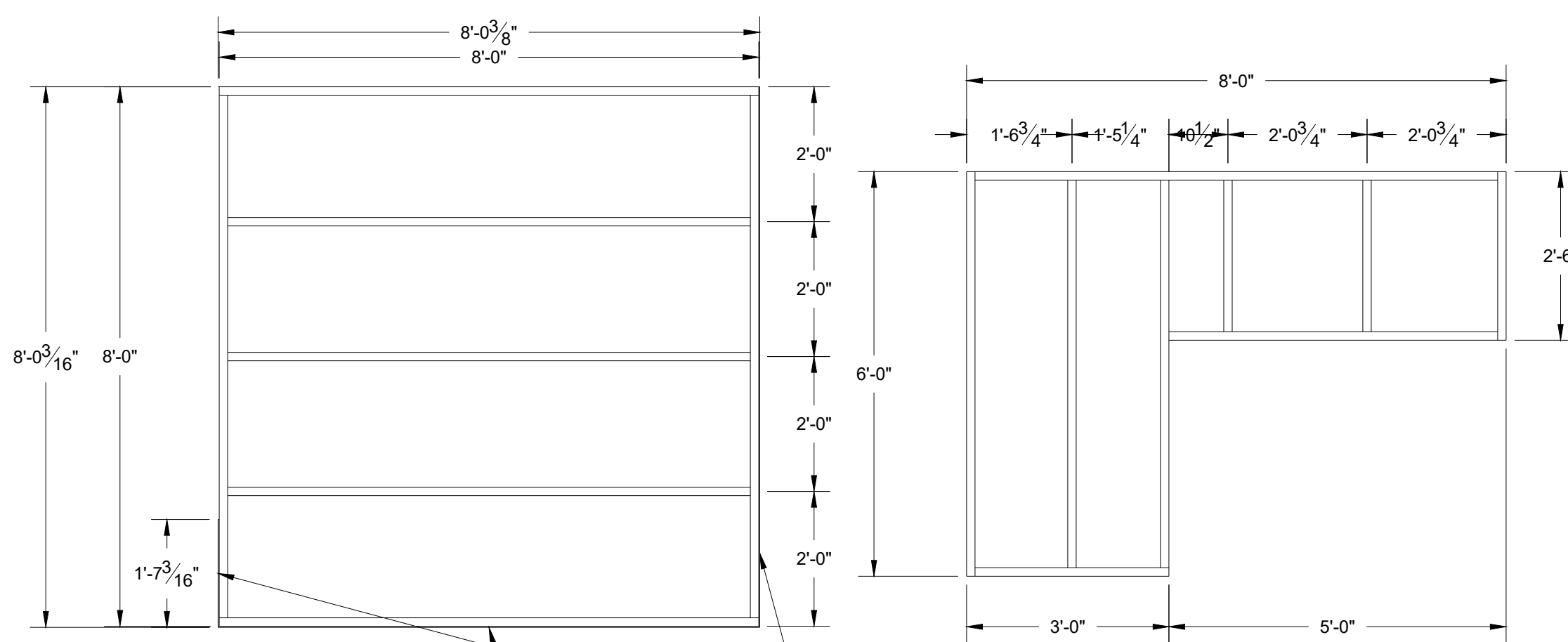
C-1 UPPER STEP UNIT
BUILD 2 2x12 CONSTRUCTION R&R



P-1 LOWER STEP UNIT
BUILD 2 2x12 CONSTRUCTION R&R

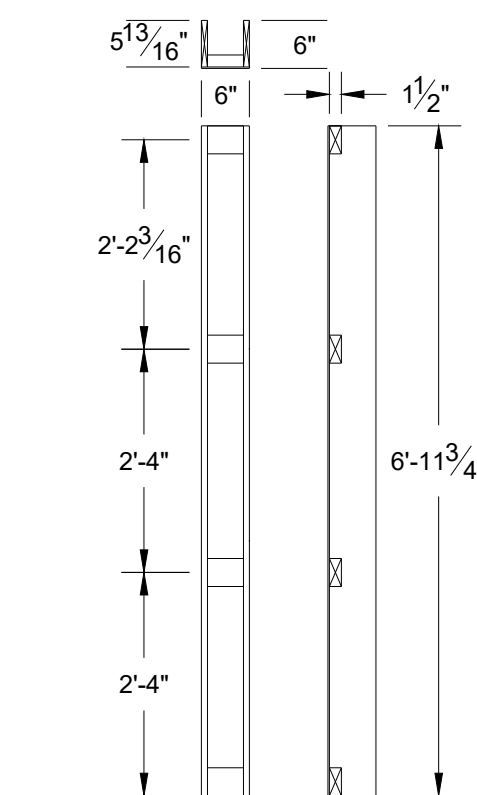
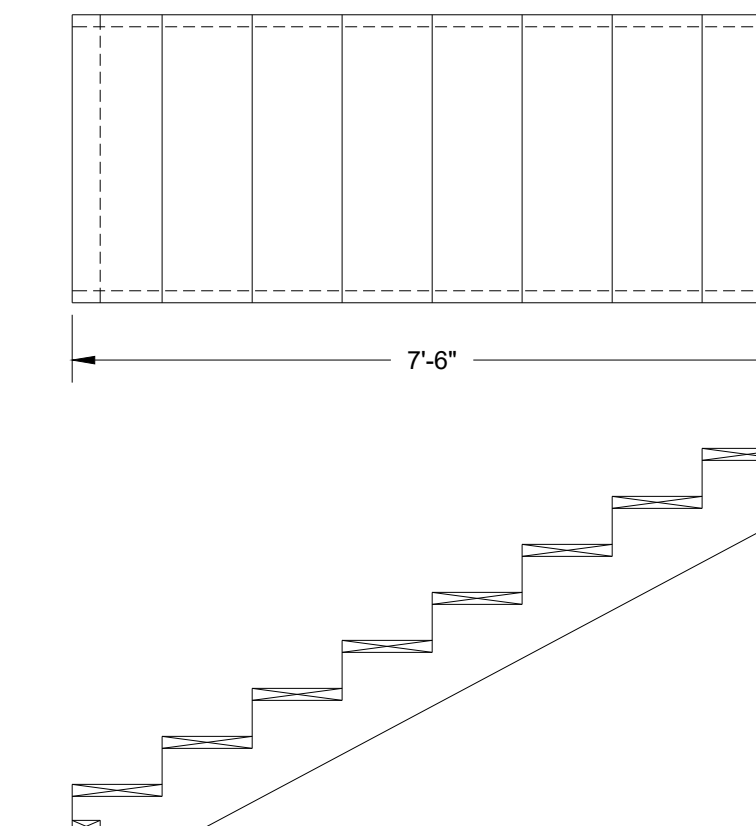
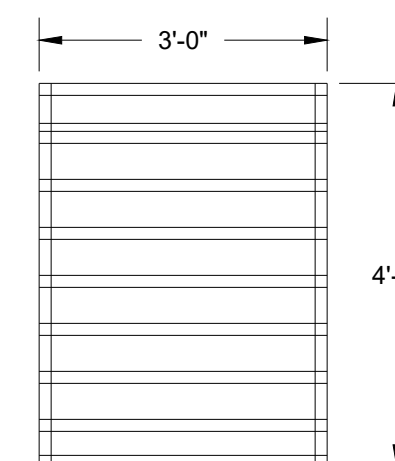
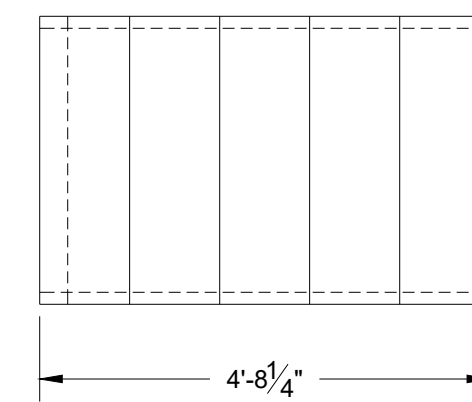
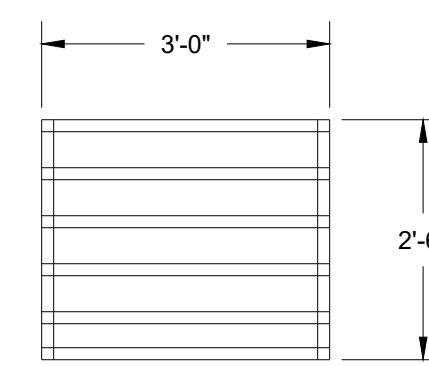
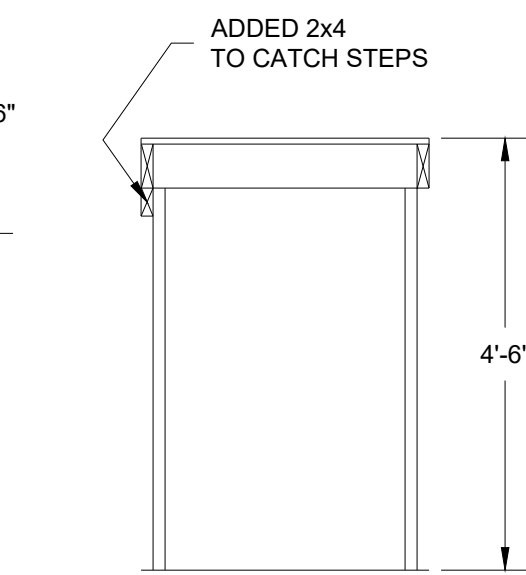


P-1 COLUMN WRAP #1
BUILD 4



P-1 ESCAPE DECK
BUILD 2 2x6 CONSTRUCTION R&R

P-1 ESCAPE DECK
BUILD 2 2x6 CONSTRUCTION R&R



P-1 COLUMN WRAP #2
BUILD 14

MARK	DATE	REVISIONS/ISSUES
1		
2		
3		
4		
5		
6		
7		

NEXT TO NORMAL

THEATRE: STUDIO ONE THEATRE @ FAU

DESIGNER: M. McCLAIN

DIRECTOR: L. MCNUITT

ISSUE DATE: 3-10-19

AY SPRING 2019

PLATE NUMBER

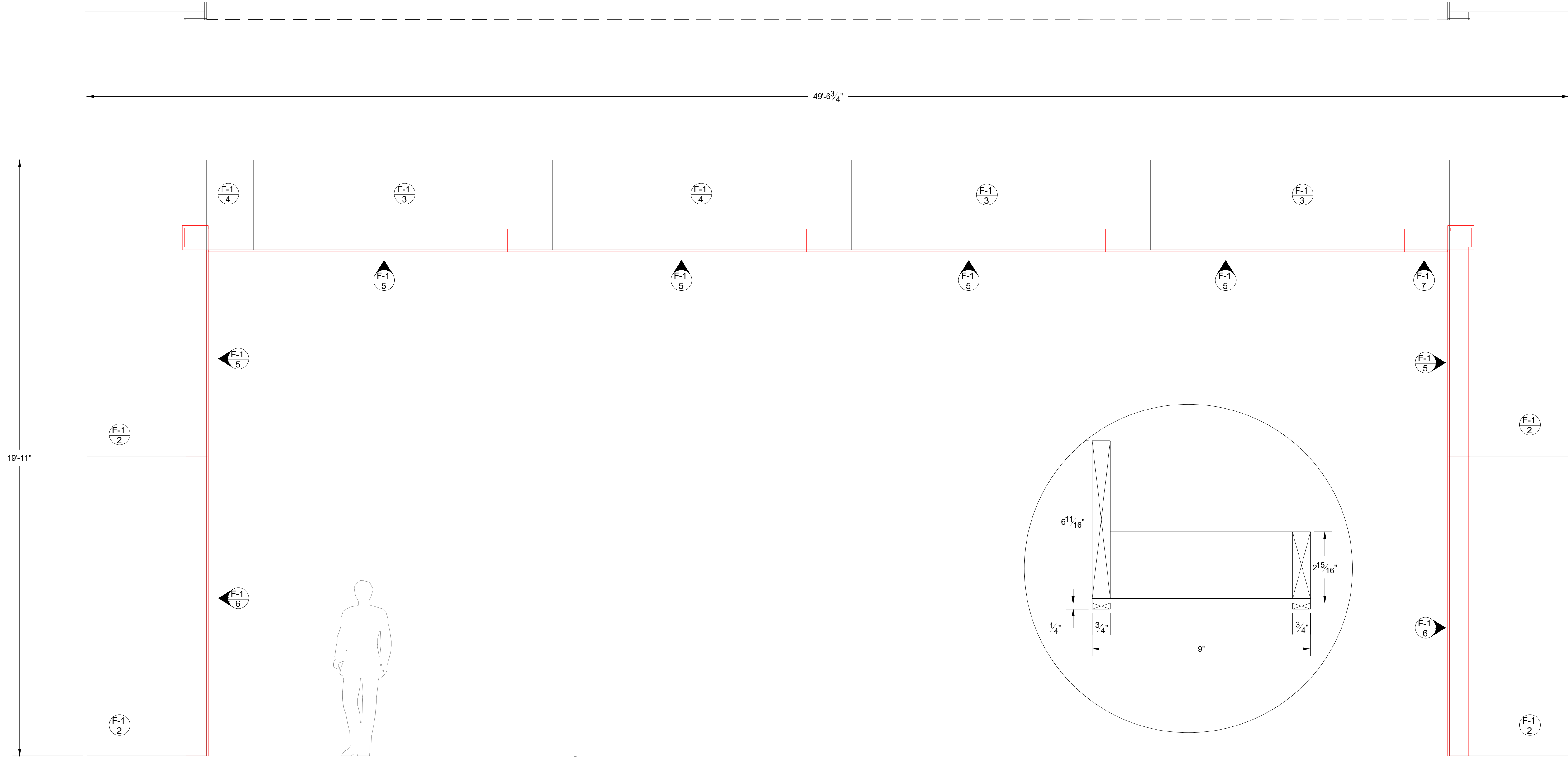
P-1

SCALE: 1/2" = 1'-0"

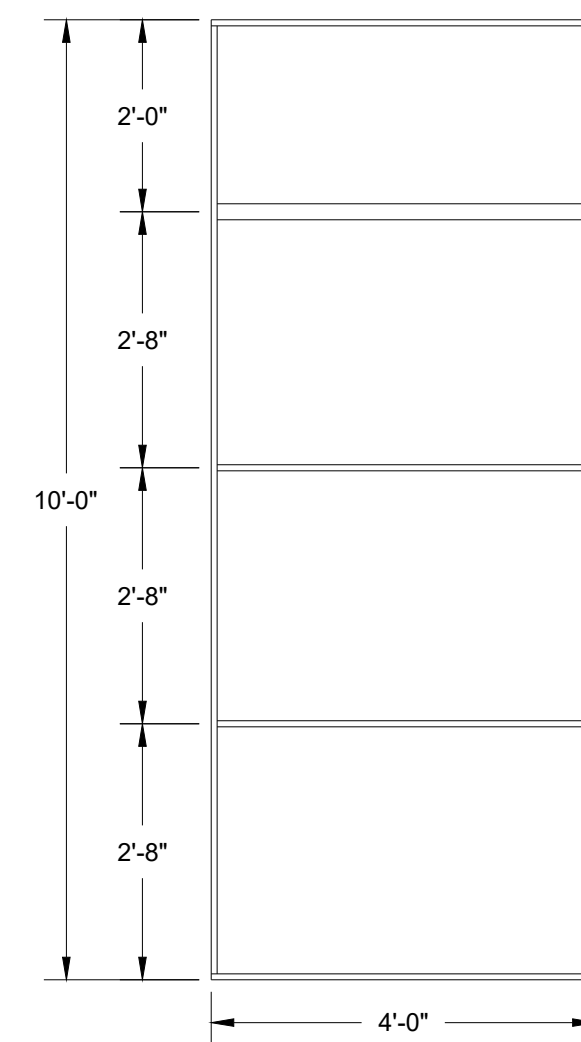
FLORIDA ATLANTIC UNIVERSITY

777 GLADES ROAD
BOCA RATON, FL 33431
PHONE: (561)297-3810 TD: (561)715-9898
FAX: (561)297-0611

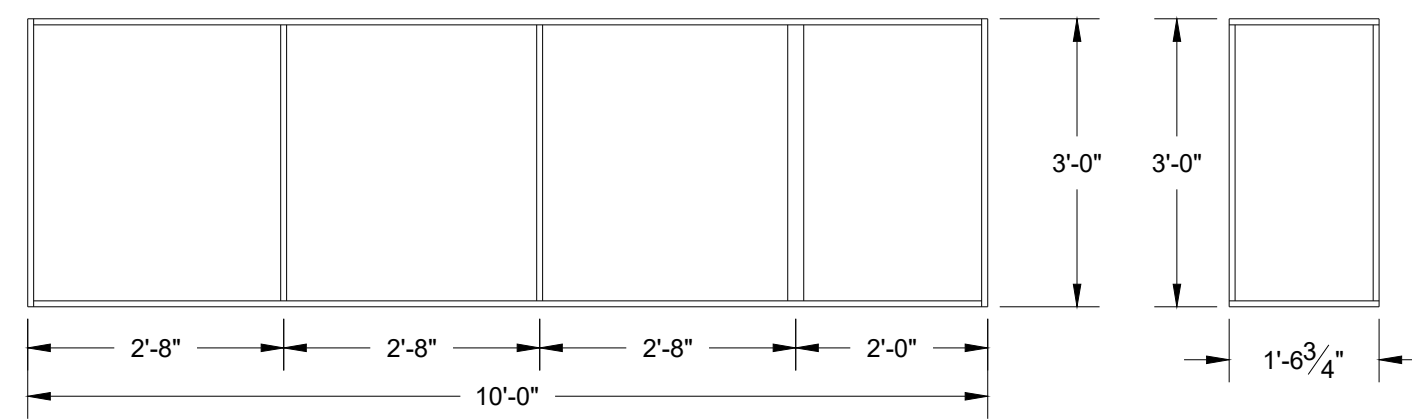
These drawings are instruments of service and as such remain the property of the creator. No copies or reproductions are permitted without the consent of the creator. Copyright (C) 2019



F-1
1 FALSE PRO FLAT
BUILD 1

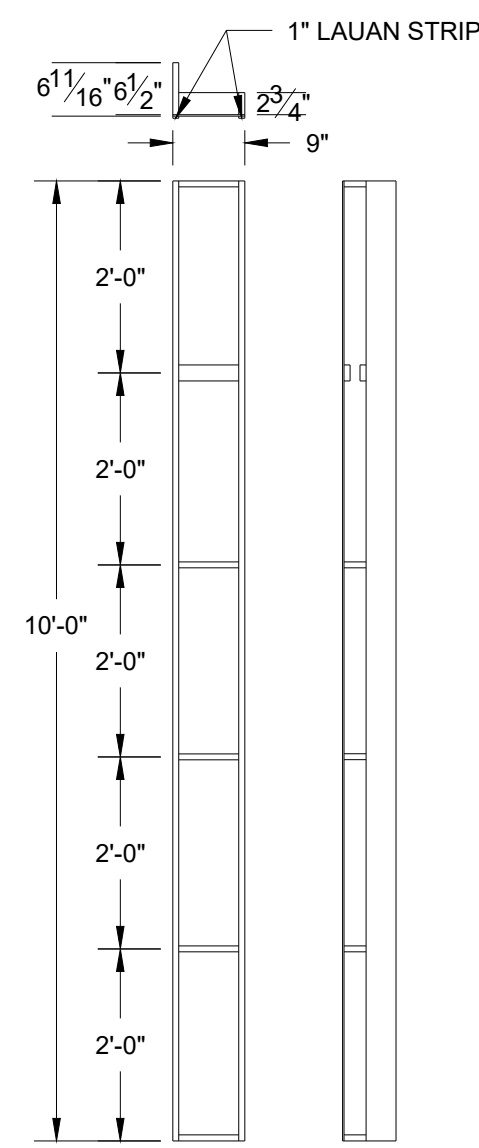


F-1
2 FALSE PRO FLAT LEG
BUILD 4

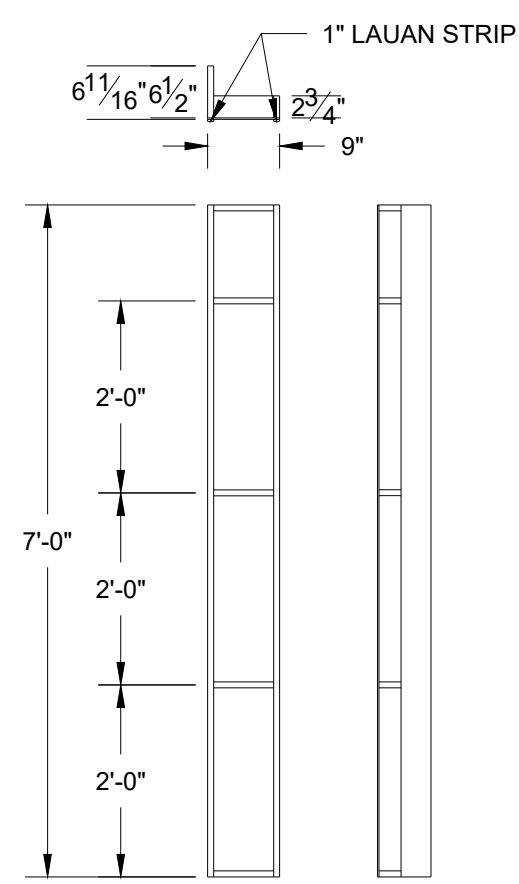


F-1
3 FALSE PRO FLAT HEADER
BUILD 4

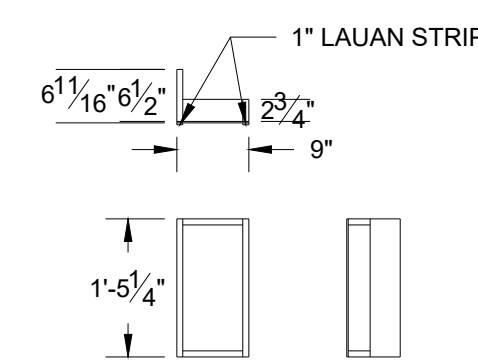
F-1
4 FALSE PRO FLAT HEADER
BUILD 1



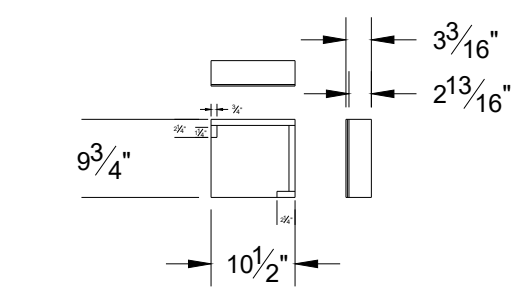
F-1
5 PRO ARCH WRAP
BUILD 6



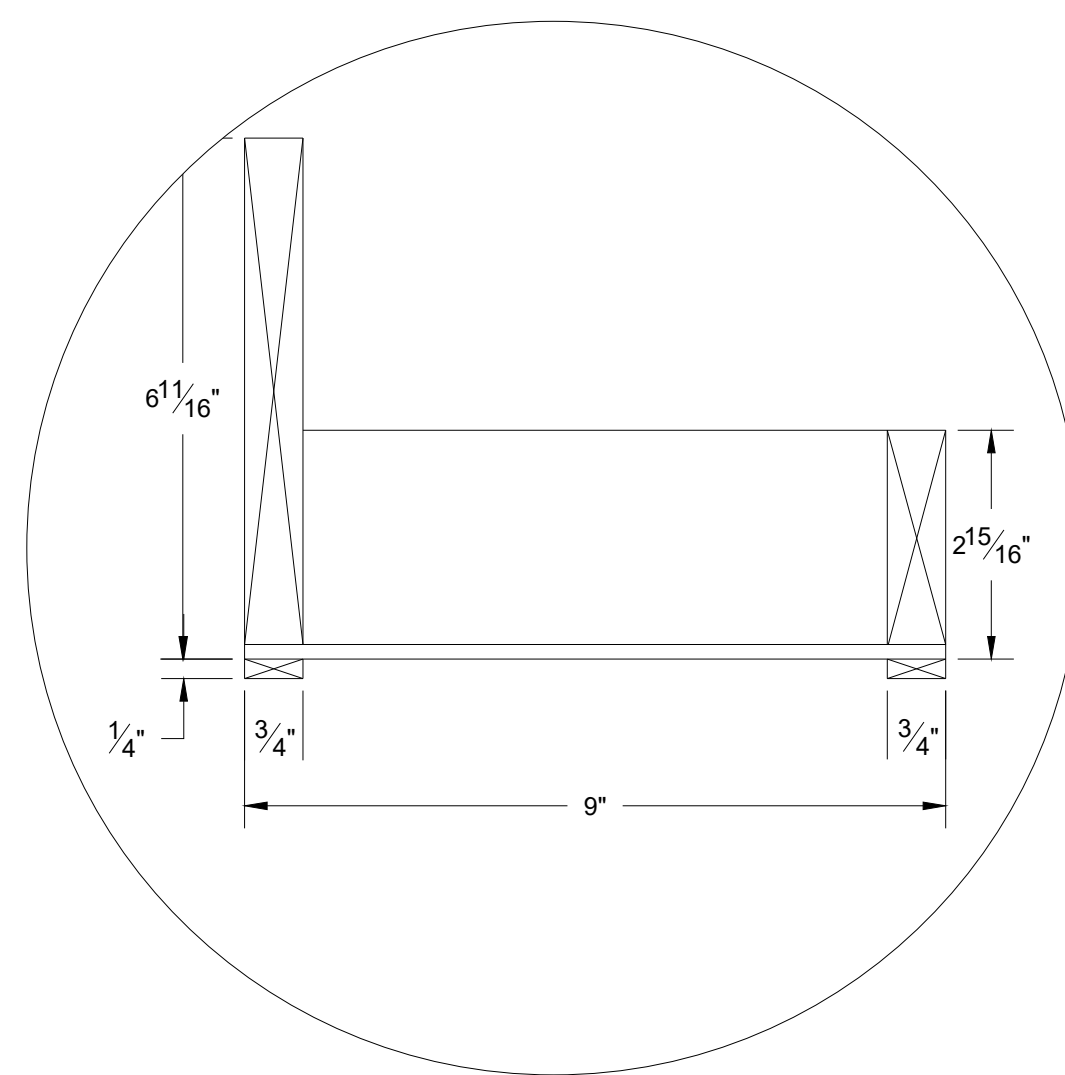
F-1
6 PRO ARCH WRAP
BUILD 2



F-1
7 PRO ARCH WRAP
BUILD 1



F-1
8 PRO ARCH CORNER
BUILD 2



These drawings are instruments of service and as such remain the property of the creator. No copies or reproductions are permitted without the consent of the creator. Copyright (C) 2019

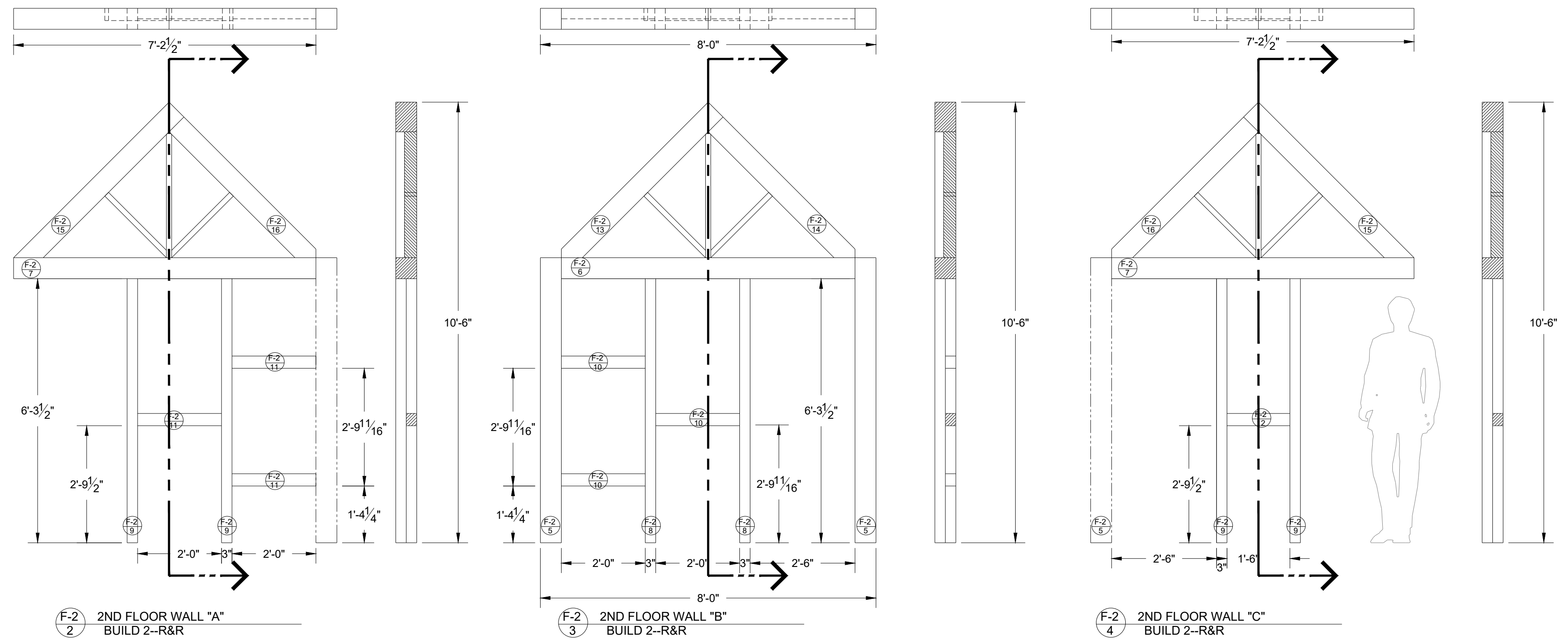
FLORIDA ATLANTIC UNIVERSITY
777 GLADES ROAD
BOCA RATON, FL 33431
PHONE: (561) 297-3810, TD: (561) 715-9898
FAX: (561) 297-0611

MARK	DATE	REVISIONS/ISSUES
1		
2		
3		
4		
5		
6		
7		

NEXT TO NORMAL
THEATRE: STUDIO ONE THEATRE @ FAU
DESIGNER: M. McCLAIN
DIRECTOR: L. MCCLUTT
ISSUE DATE: 3-10-19
AY SPRING 2019

SCALE: **1/2" = 1'-0"**

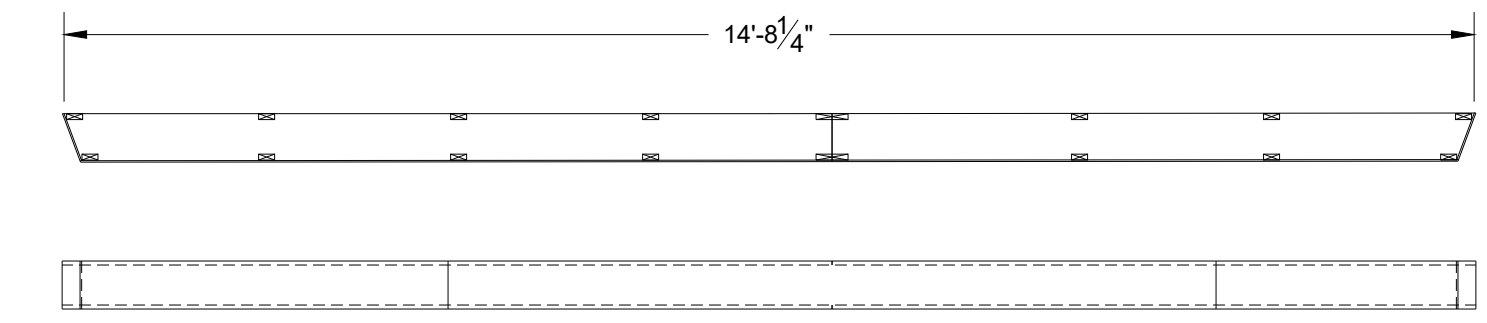
PLATE NUMBER
F-1



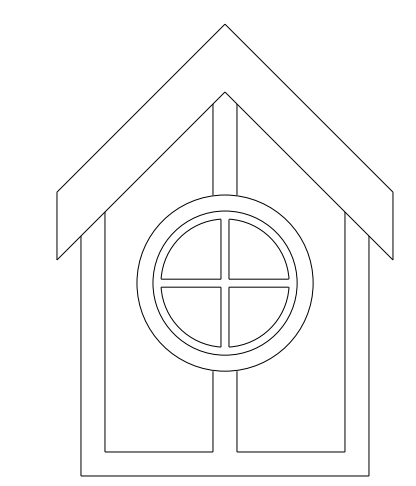
F-2/2 2ND FLOOR WALL "A"
BUILD 2--R&R

F-2/3 2ND FLOOR WALL "B"
BUILD 2--R&R

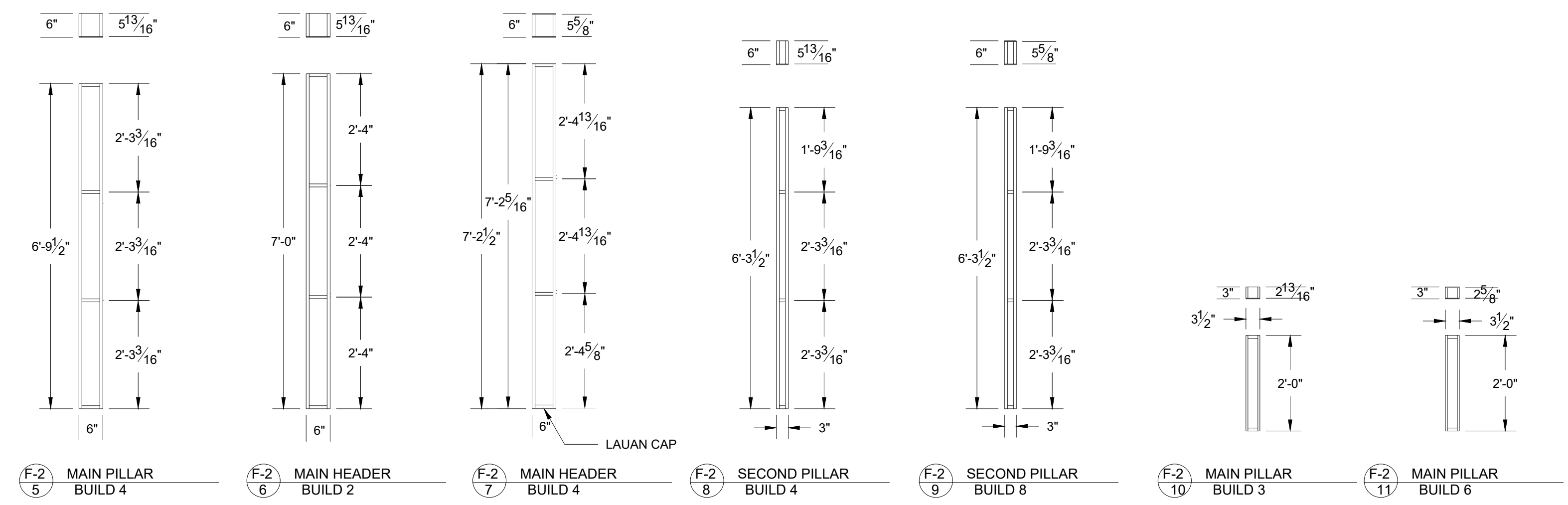
F-2/4 2ND FLOOR WALL "C"
BUILD 2--R&R



F-2/18 PLATFORM HEADER
BUILD 1



WINDOW GABLE
FRONT ELEVATION



F-2/5 MAIN PILLAR
BUILD 4

F-2/6 MAIN HEADER
BUILD 2

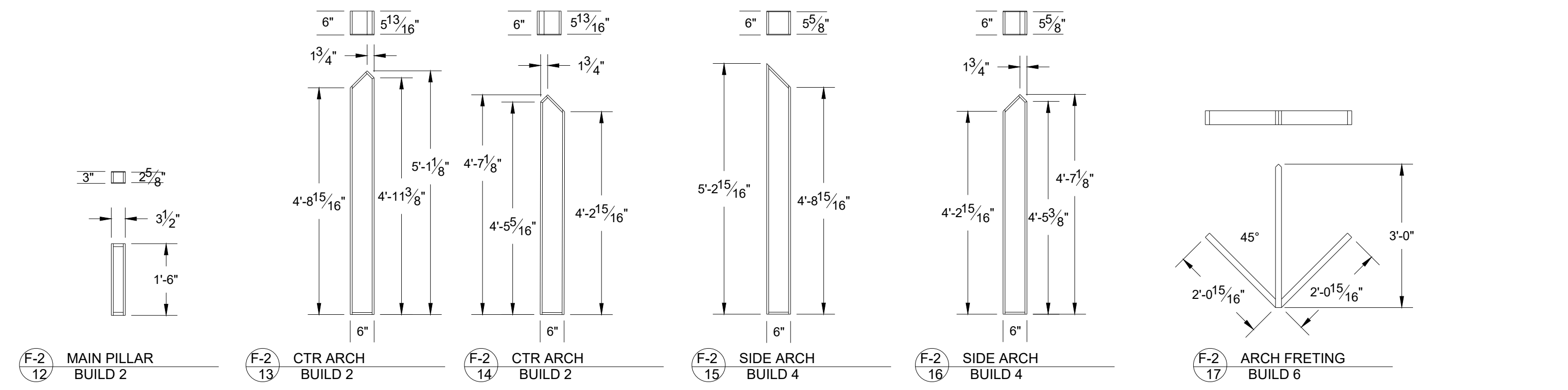
F-2/7 MAIN HEADER
BUILD 4

F-2/8 SECOND PILLAR
BUILD 4

F-2/9 SECOND PILLAR
BUILD 8

F-2/10 MAIN PILLAR
BUILD 3

F-2/11 MAIN PILLAR
BUILD 6



F-2/12 MAIN PILLAR
BUILD 2

F-2/13 CTR ARCH
BUILD 2

F-2/14 CTR ARCH
BUILD 2

F-2/15 SIDE ARCH
BUILD 4

F-2/16 SIDE ARCH
BUILD 4

F-2/17 ARCH FRETING
BUILD 6

These drawings are instruments of service and as such remain the property of the creator. No copies or reproductions are permitted without the consent of the creator. Copyright (C) 2019

FLORIDA ATLANTIC UNIVERSITY

777 GLADES ROAD
BOCA RATON, FL 33431
PHONE: (561)297-3810, TD: (561)715-9898
FAX: (561)297-0611

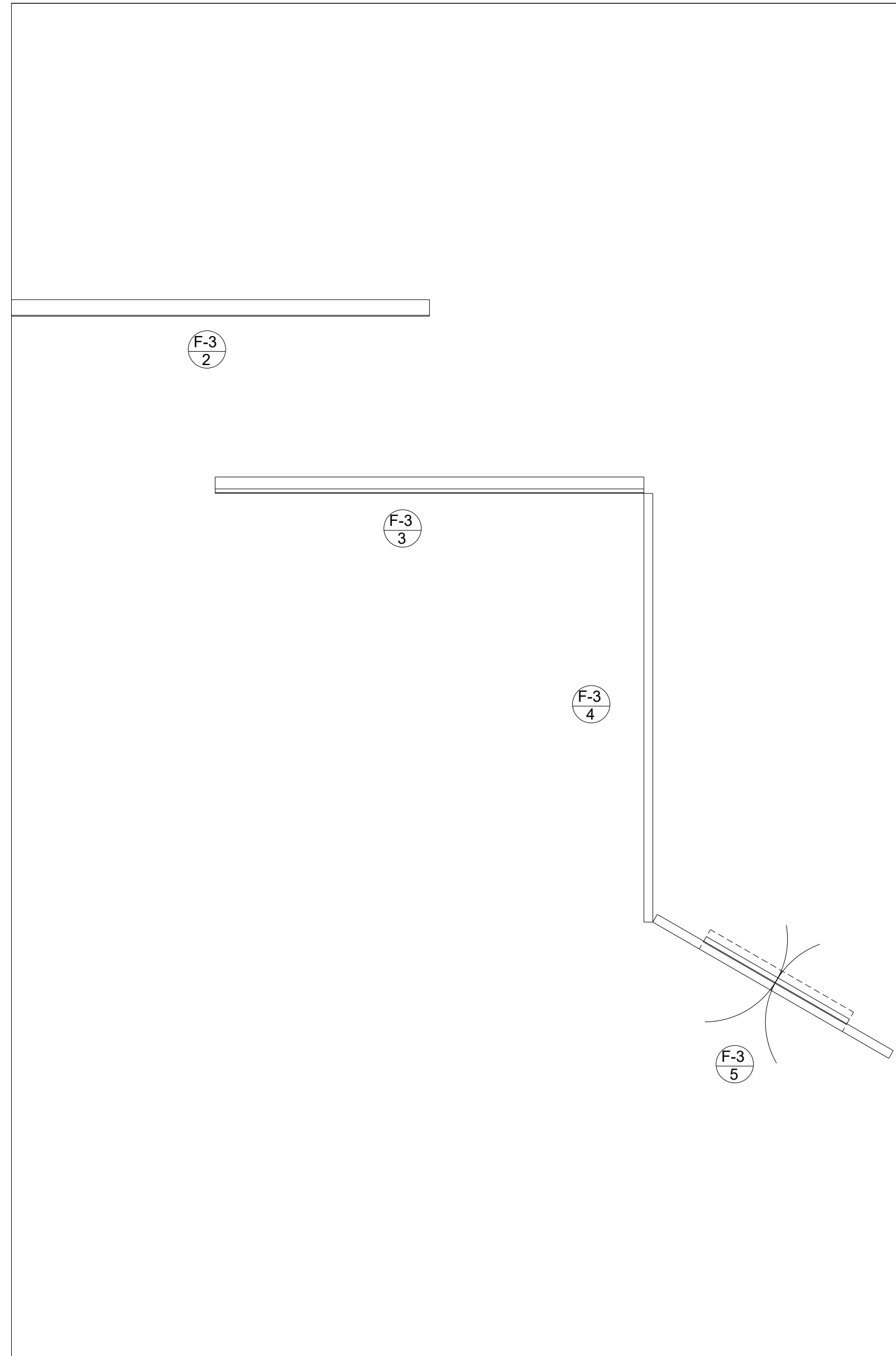
MARK	DATE	REVISIONS/ISSUES
1		
2		
3		
4		
5		
6		
7		

NEXT TO NORMAL

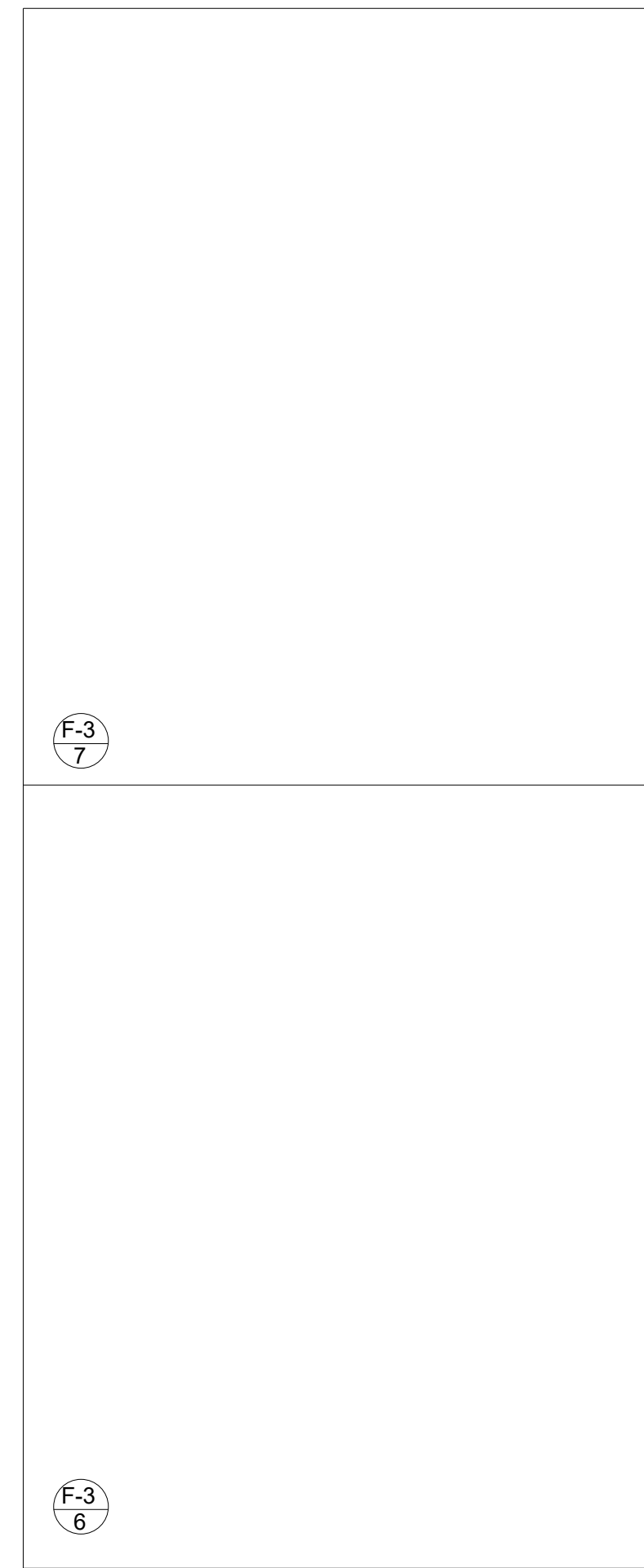
THEATRE: STUDIO ONE THEATRE @ FAU
DESIGNER: M. McCLAIN
DIRECTOR: L. MCNUTT
ISSUE DATE: 3-10-19
AY SPRING 2019

PLATE NUMBER
F-2

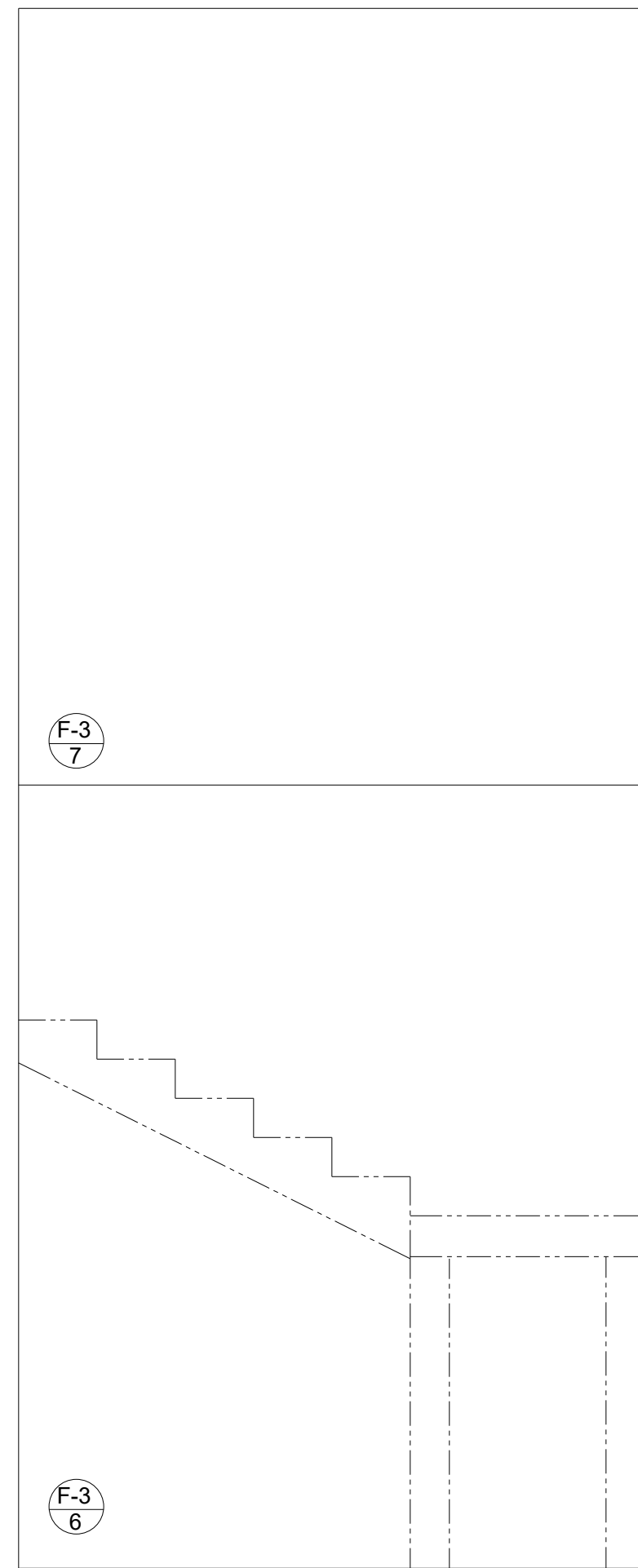
SCALE:
1/2" = 1'-0"



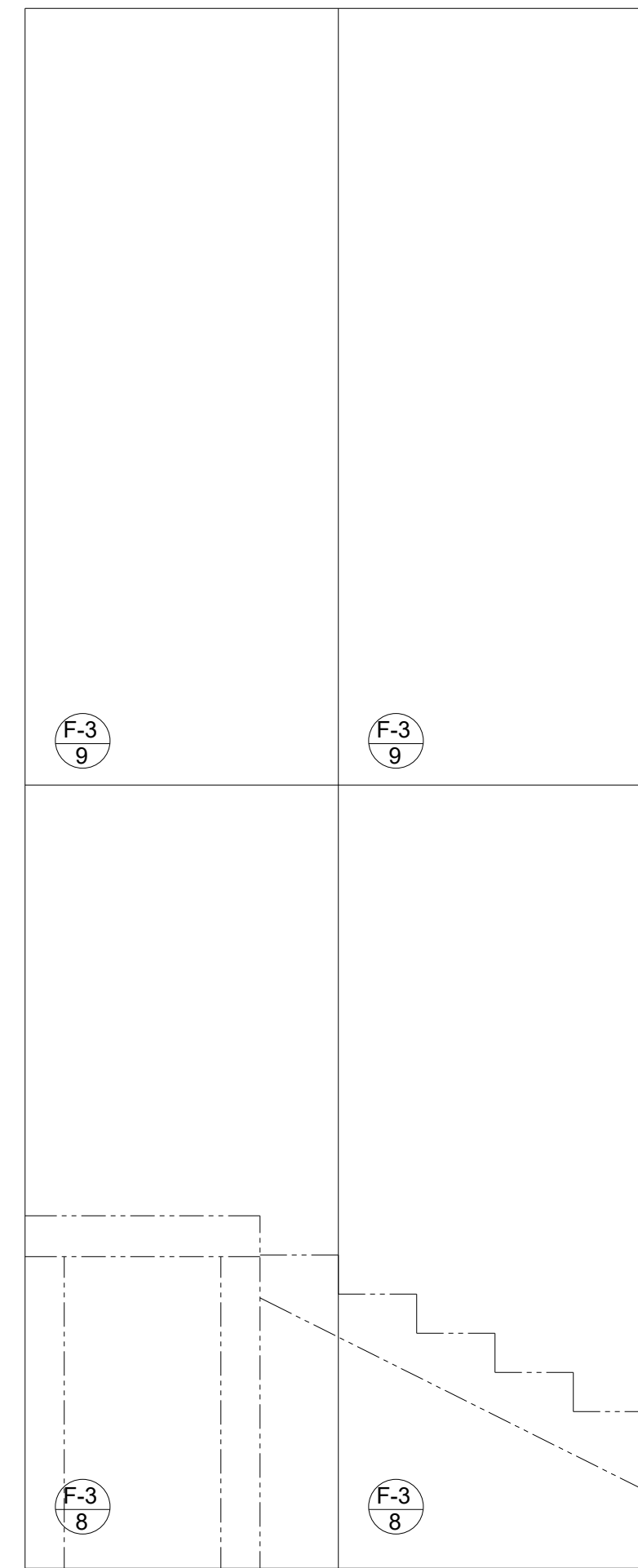
F-3 1 SR WALL LAYOUT
BUILD 2--R&R



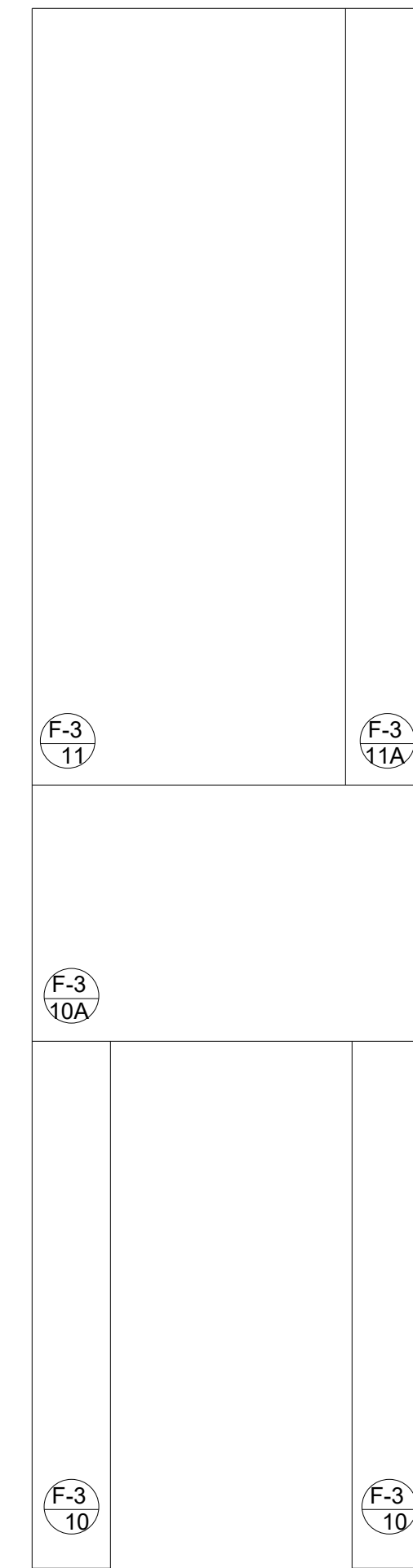
F-3 2 UPSTAGE MASKING WALL
BUILD 2--R&R



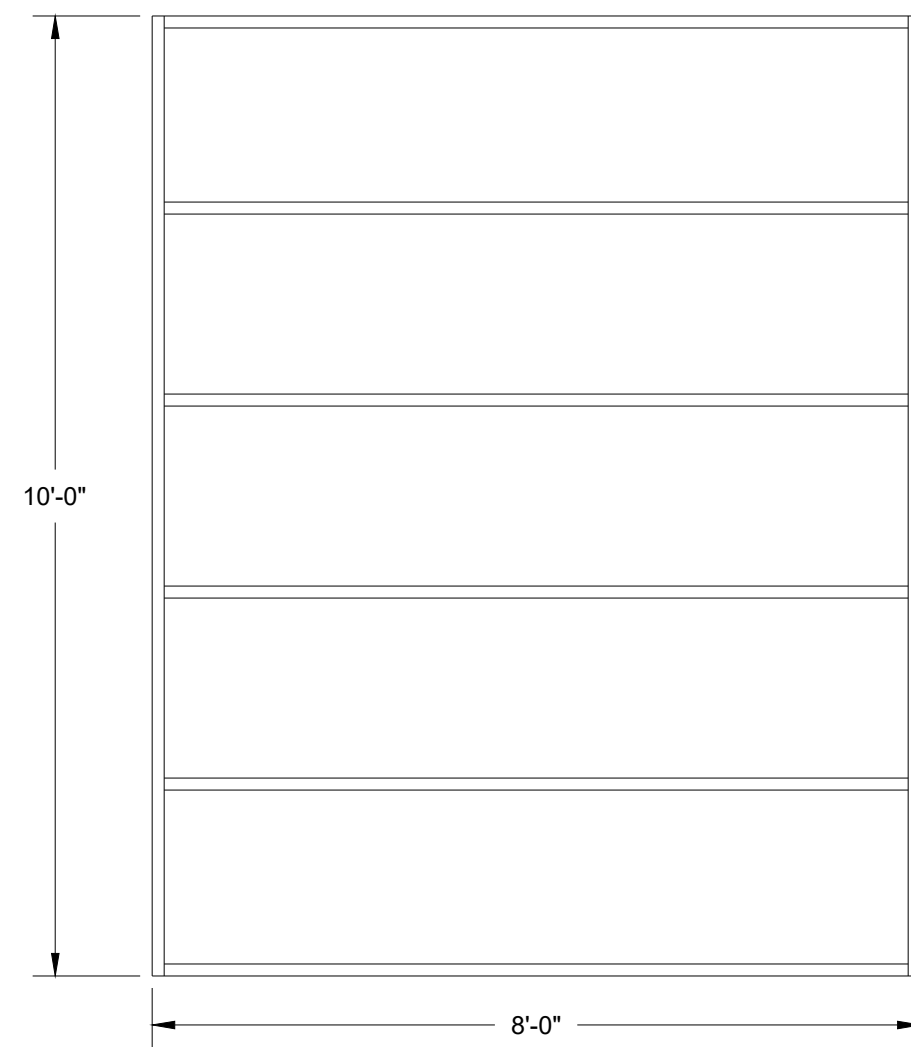
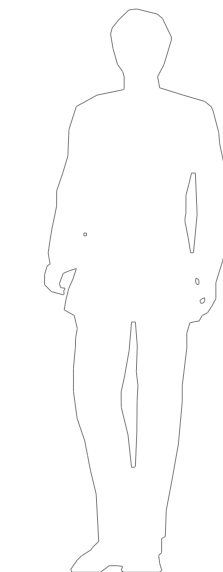
F-3 3 DOWNSTAGE MASKING WALL
BUILD 2--R&R



F-3 4 SIDE MASKING WALL
BUILD 2--R&R



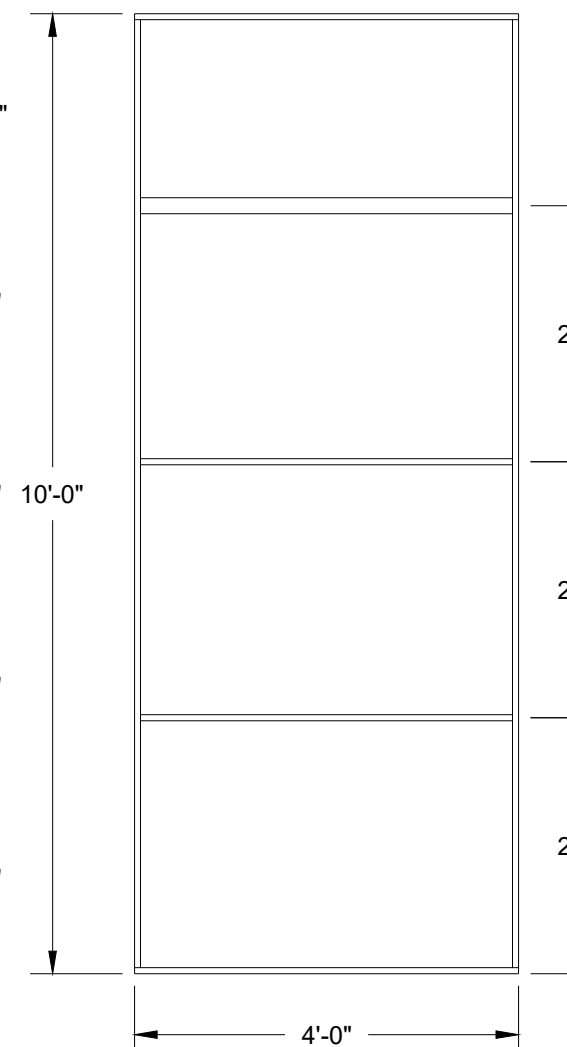
F-3 5 MASKING DOORWAY
BUILD 2--R&R



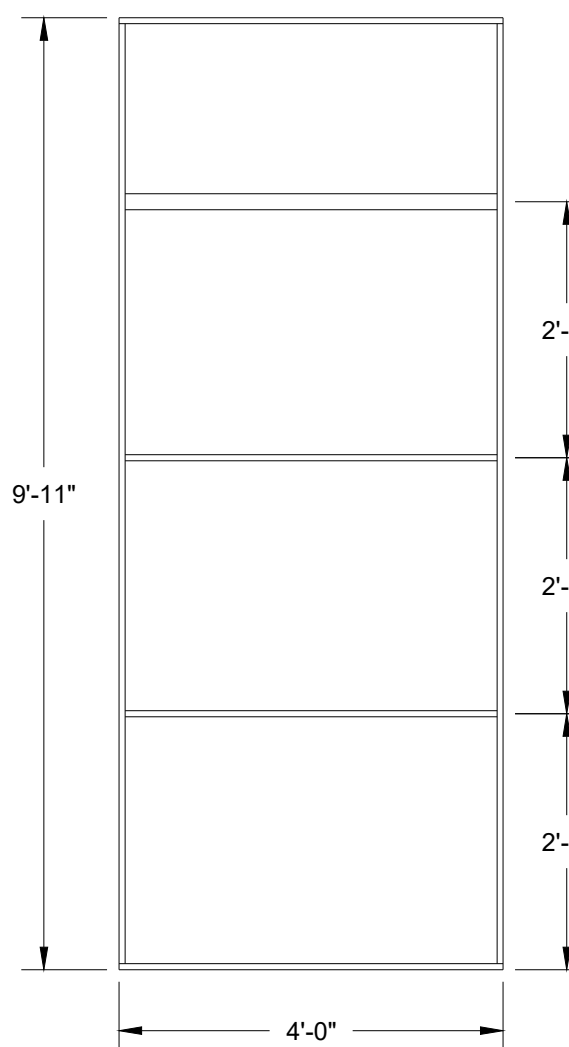
F-3 6 UPSTAGE MASKING WALL
BUILD 4--R&R



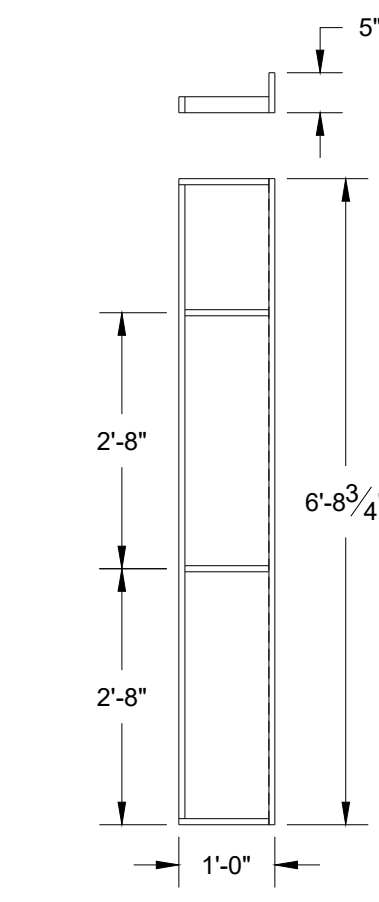
F-3 7 UPSTAGE MASKING WALL
BUILD 4--R&R



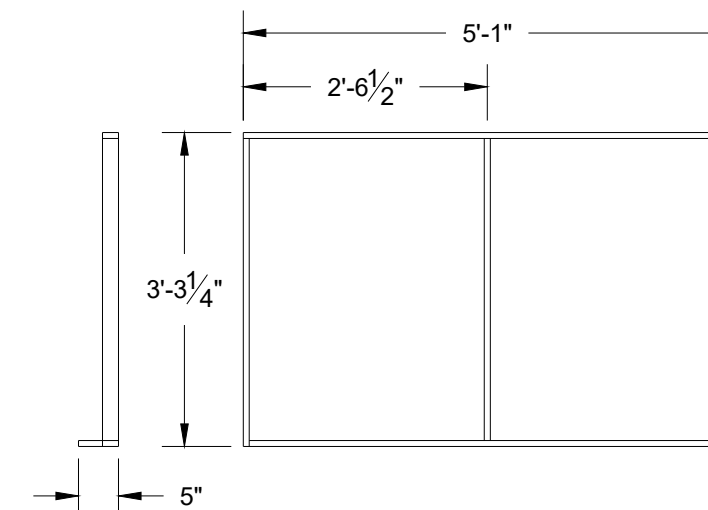
F-3 8 UPSTAGE MASKING WALL
BUILD 4--R&R



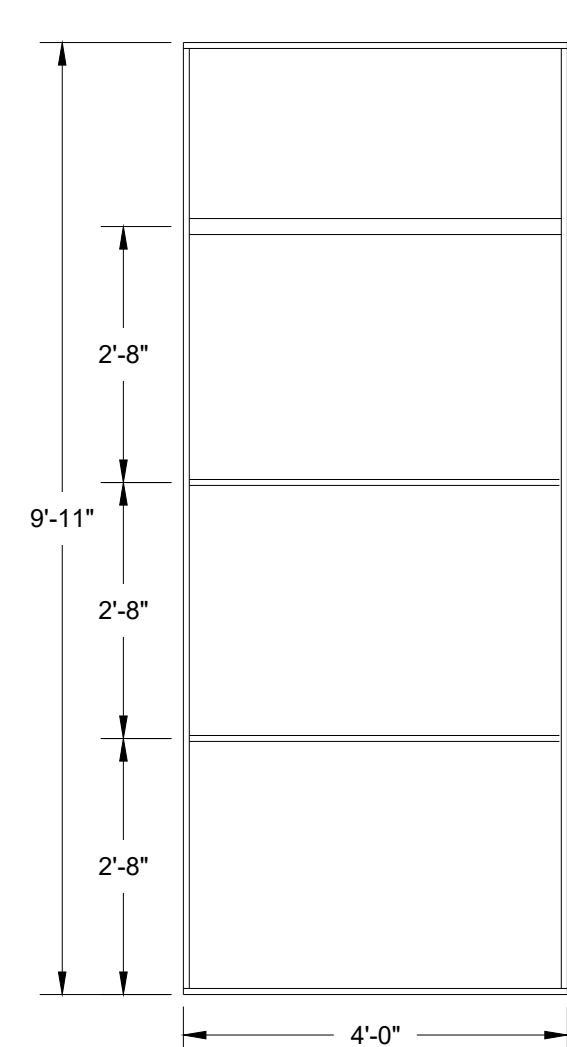
F-3 9 UPSTAGE MASKING WALL
BUILD 4--R&R



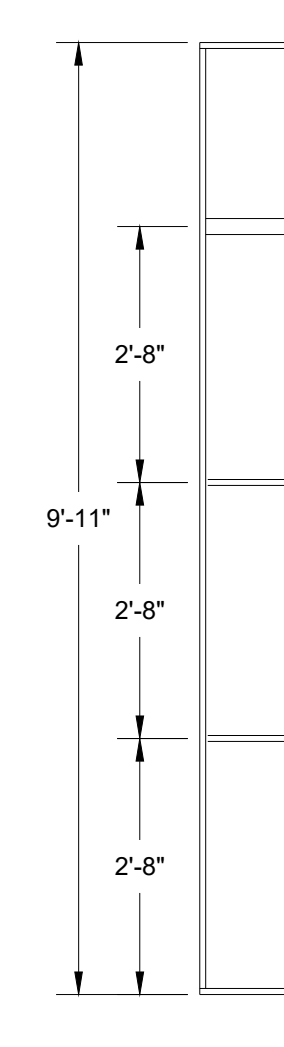
F-3 10 DOWNSTAGE MASKING WALL
BUILD 4 R&R 2



F-3 10A DOWNSTAGE MASKING WALL
BUILD 2



F-3 11 DOWNSTAGE MASKING WALL
BUILD 2



F-3 11 DOWNSTAGE MASKING WALL
BUILD 2

These drawings are instruments of service and as such remain the property of the creator. No copies or reproductions are permitted without the consent of the creator. Copyright (C) 2019

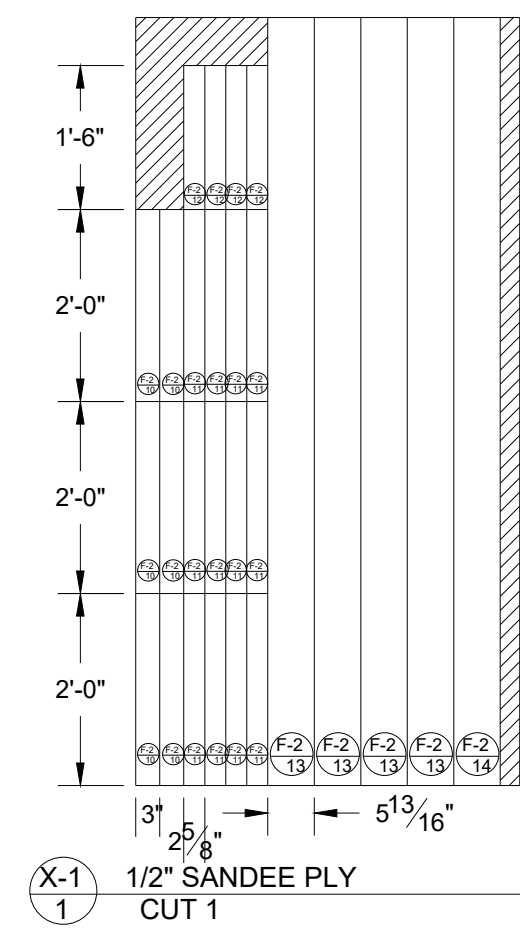
FLORIDA ATLANTIC UNIVERSITY
777 GLADES ROAD
BOCA RATON, FL 33431
PHONE: (561) 297-3810, TD: (561) 715-9898
FAX: (561) 297-0611

MARK	DATE	REVISIONS/ISSUES
1	3/14/19	DUVE - ADJUSTMENTS
2		
3		
4		
5		
6		
7		

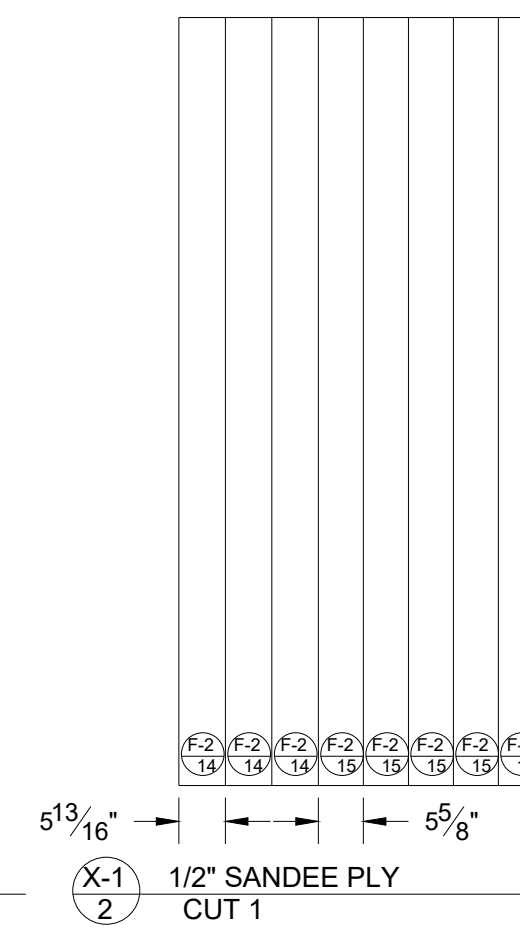
NEXT TO NORMAL
THEATRE: STUDIO ONE THEATRE @ FAU
DESIGNER: M. McCLAIN
DIRECTOR: L. MCNUTT
ISSUE DATE: 3-10-19
AY SPRING 2019

PLATE NUMBER
F-3

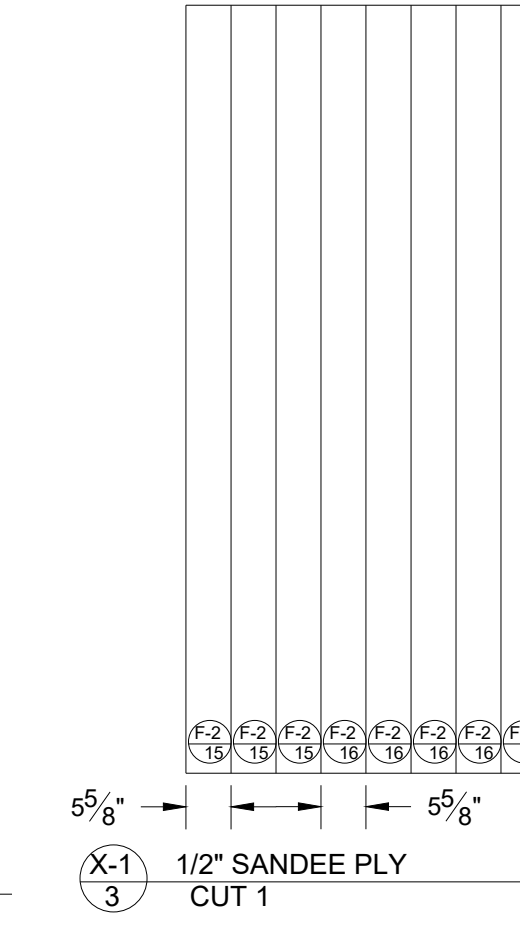
SCALE:
1/2" = 1'-0"



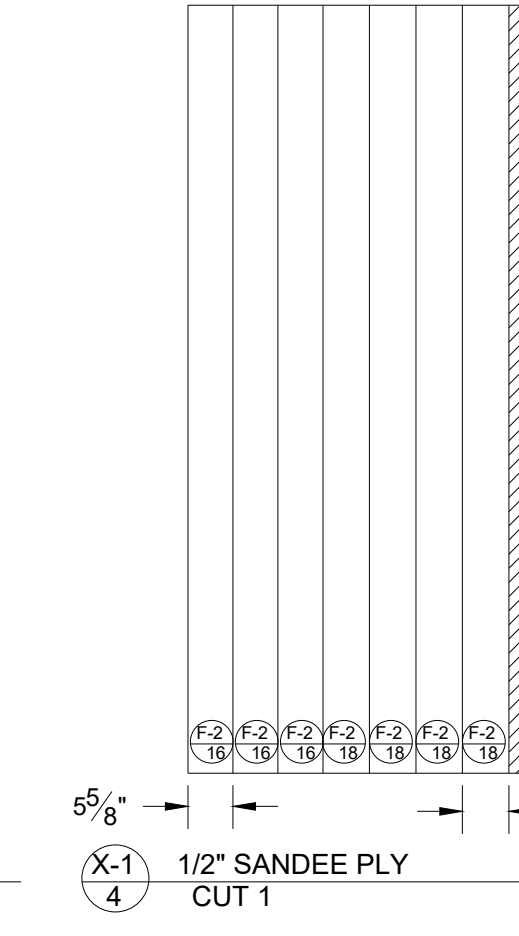
X-1
1
1/2" SANDEE PLY
CUT 1



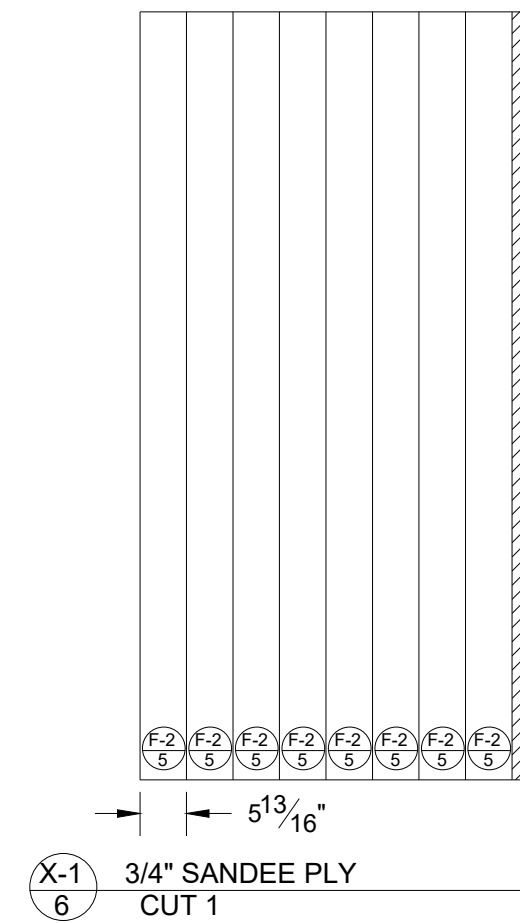
X-1
2
1/2" SANDEE PLY
CUT 1



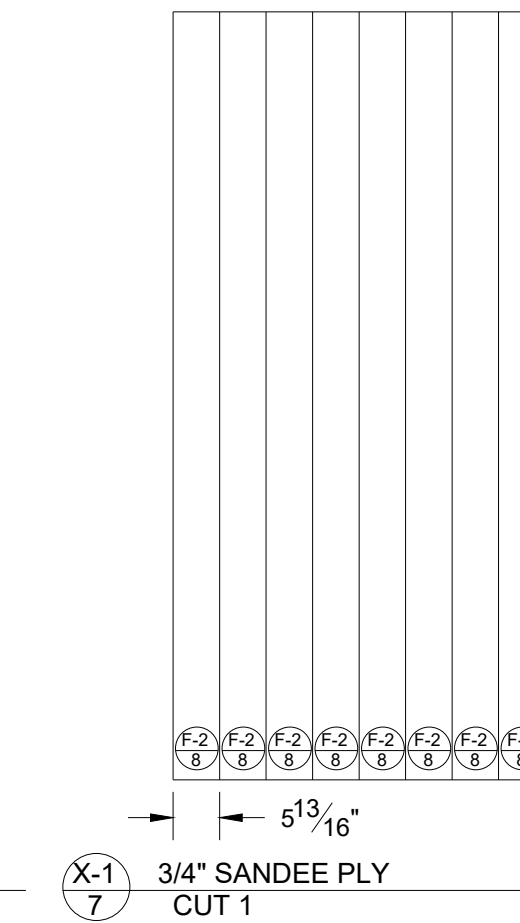
X-1
3
1/2" SANDEE PLY
CUT 1



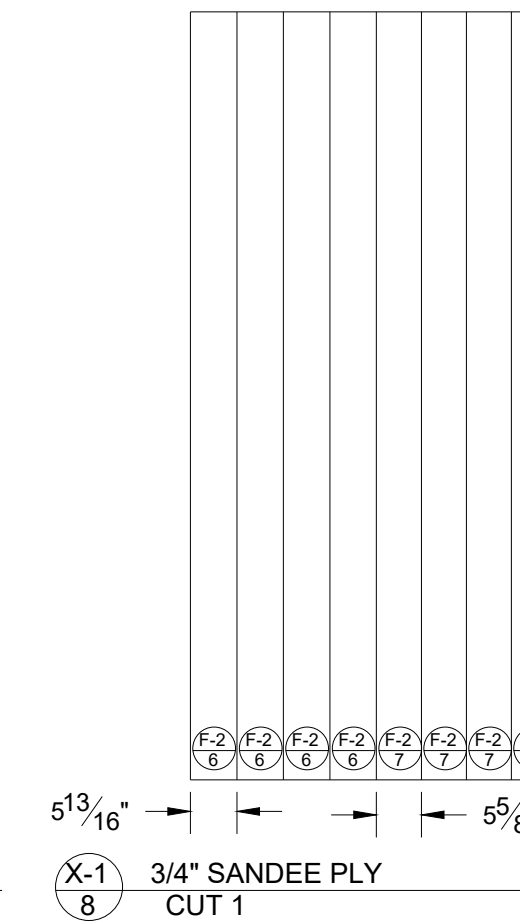
X-1
4
1/2" SANDEE PLY
CUT 1



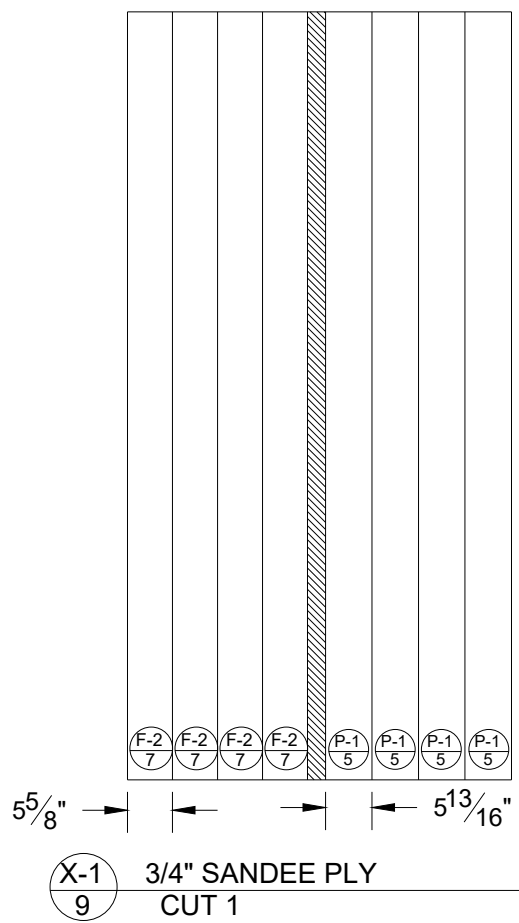
X-1
6
3/4" SANDEE PLY
CUT 1



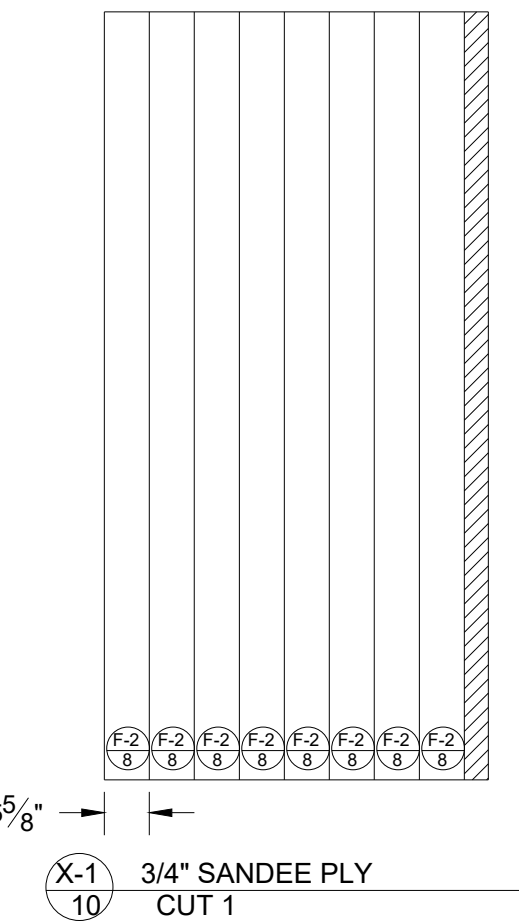
X-1
7
3/4" SANDEE PLY
CUT 1



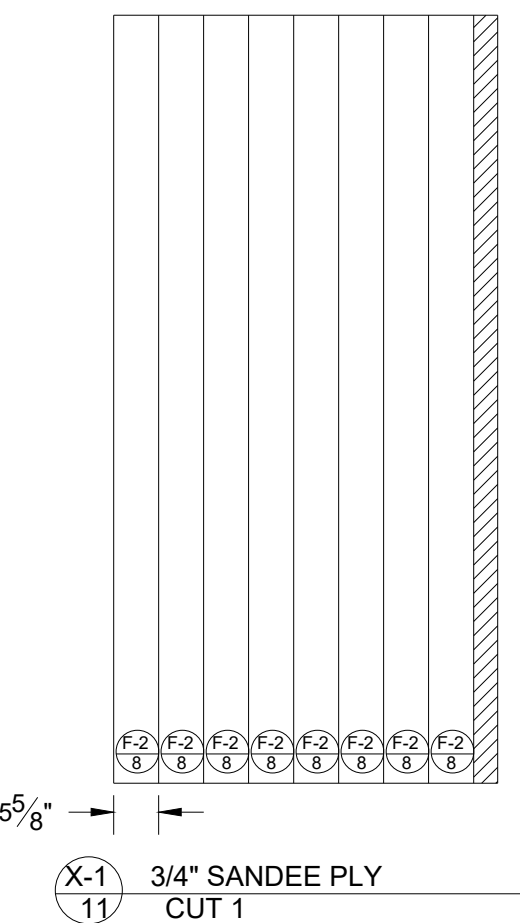
X-1
8
3/4" SANDEE PLY
CUT 1



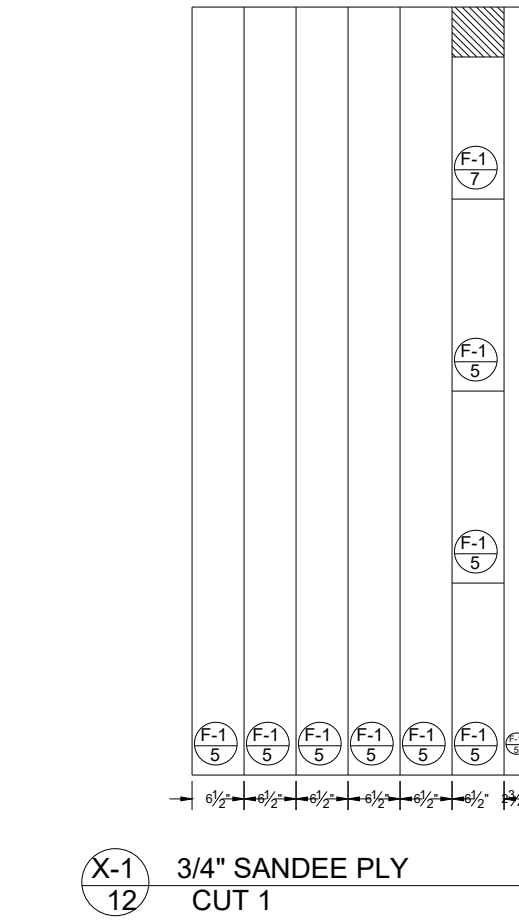
X-1
9
3/4" SANDEE PLY
CUT 1



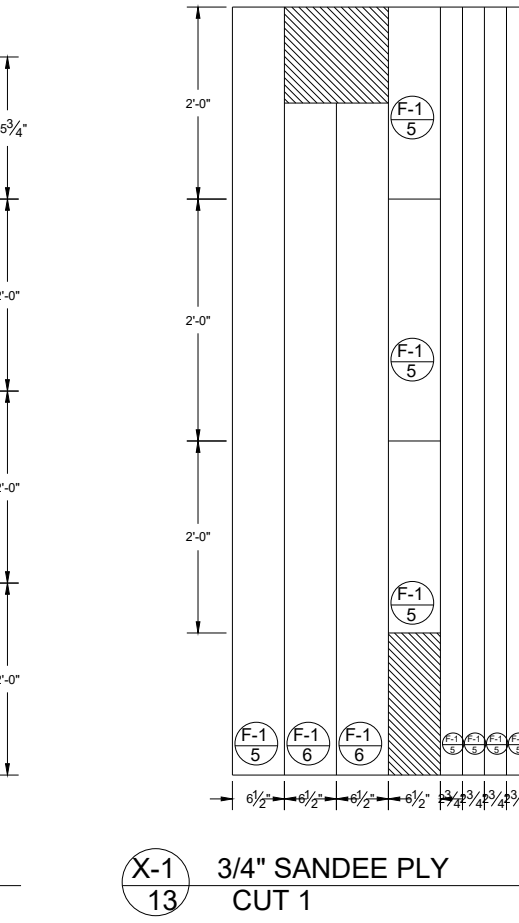
X-1
10
3/4" SANDEE PLY
CUT 1



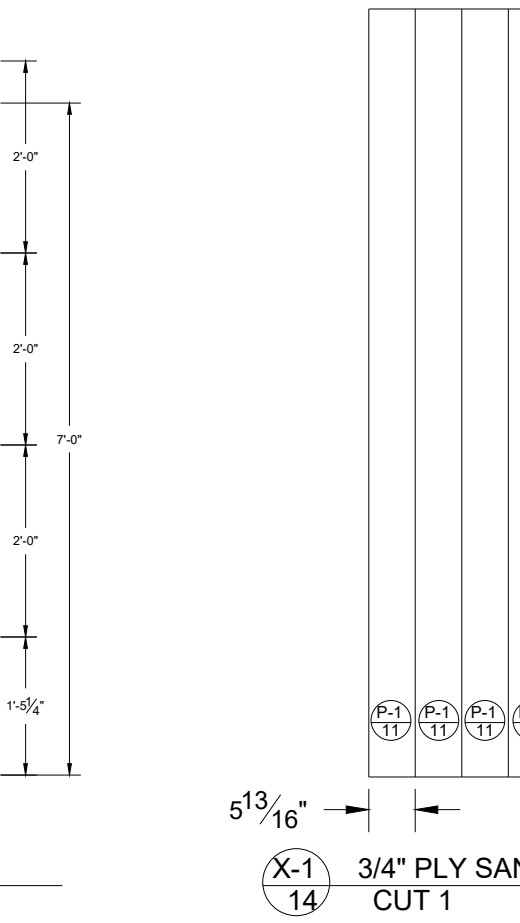
X-1
11
3/4" SANDEE PLY
CUT 1



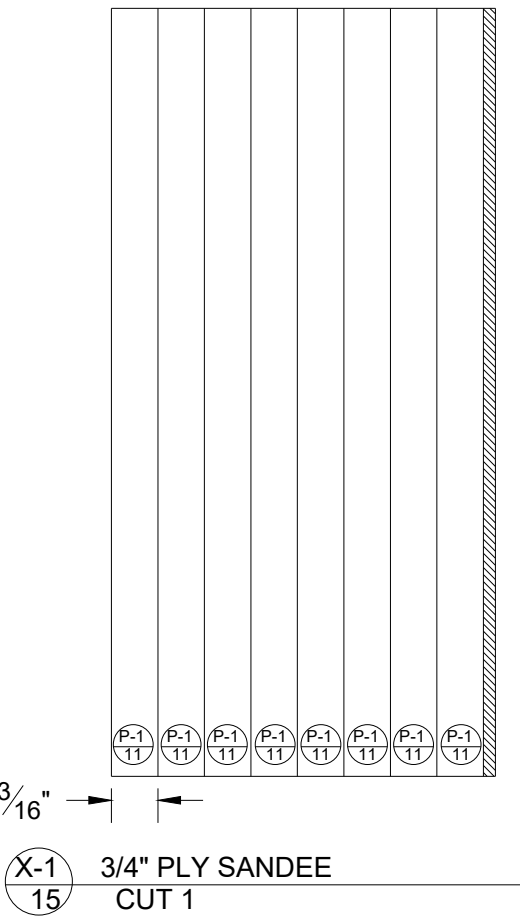
X-1
12
3/4" SANDEE PLY
CUT 1



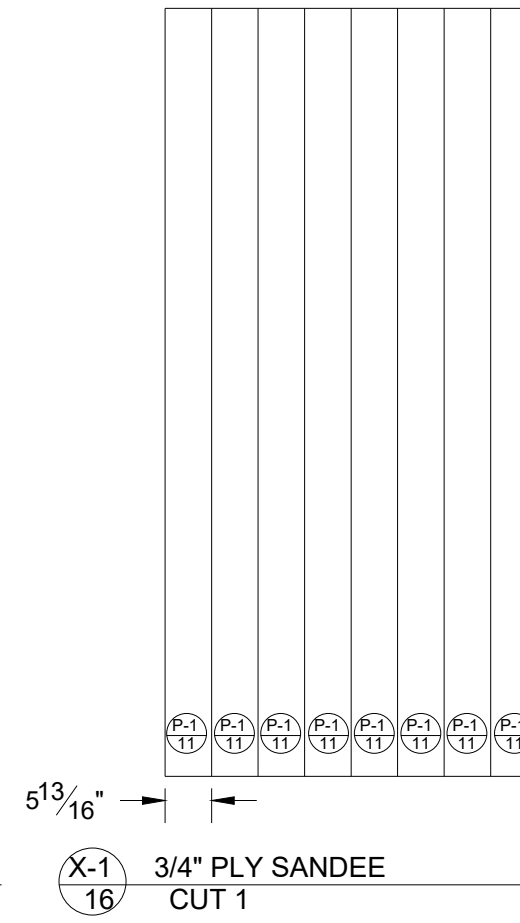
X-1
13
3/4" SANDEE PLY
CUT 1



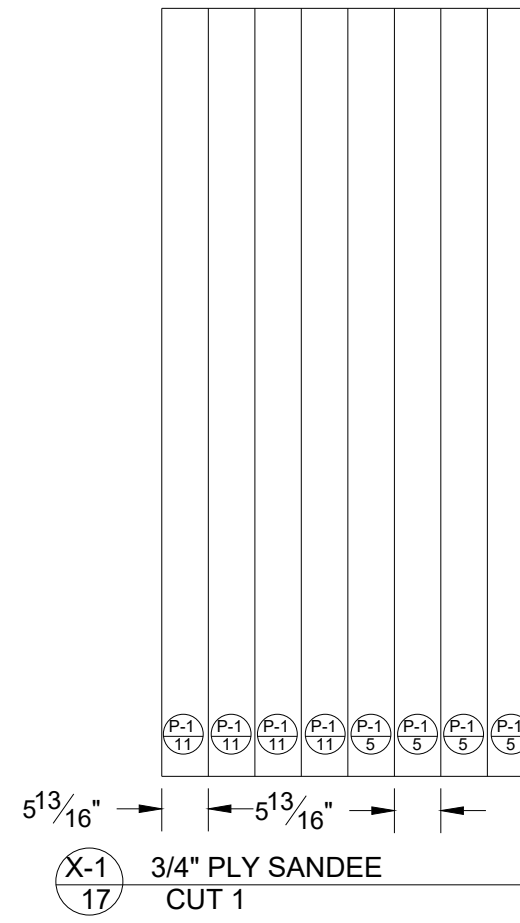
X-1
14
3/4" PLY SANDEE
CUT 1



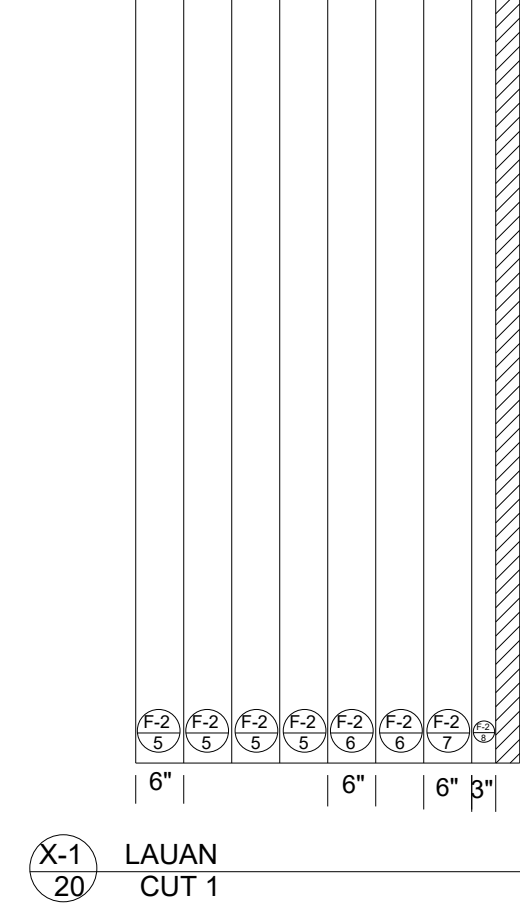
X-1
15
3/4" PLY SANDEE
CUT 1



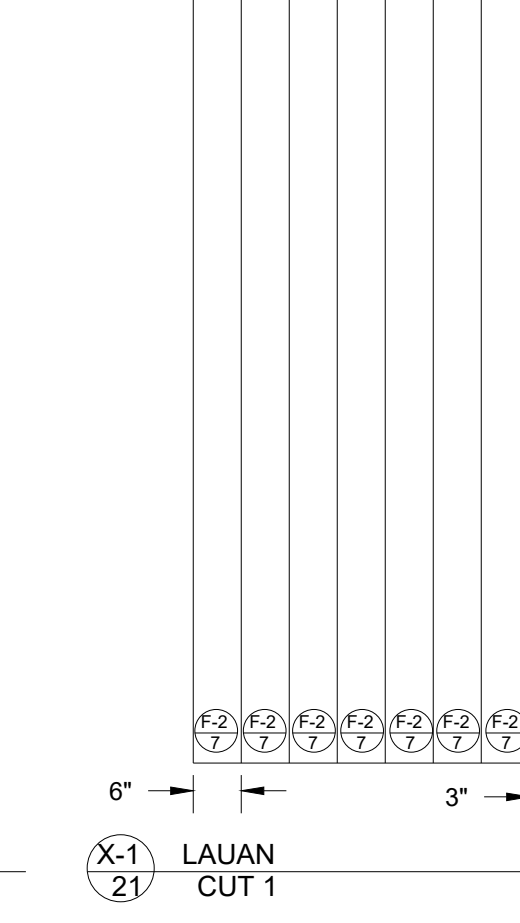
X-1
16
3/4" PLY SANDEE
CUT 1



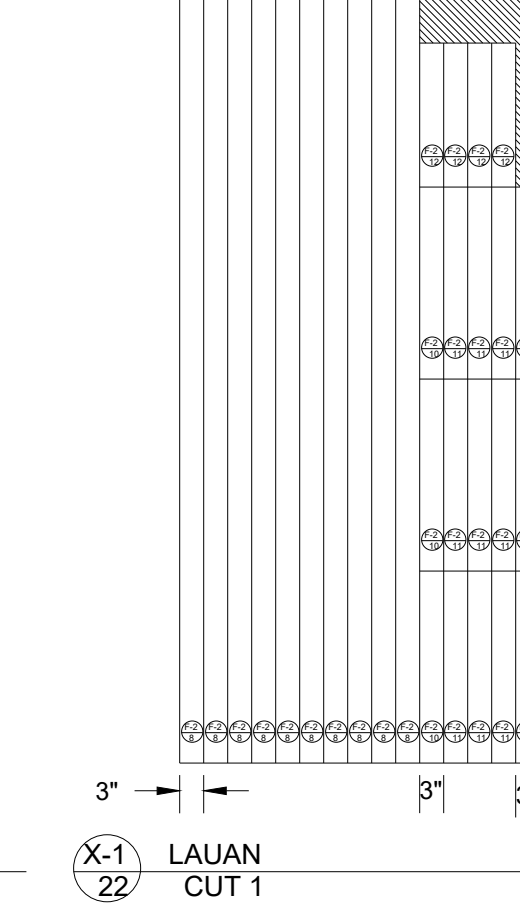
X-1
17
3/4" PLY SANDEE
CUT 1



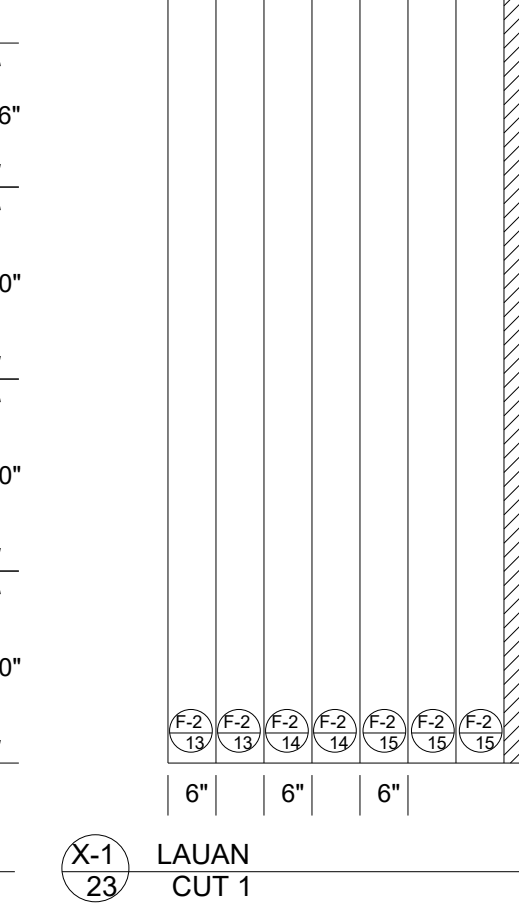
X-1
20
LAUAN
CUT 1



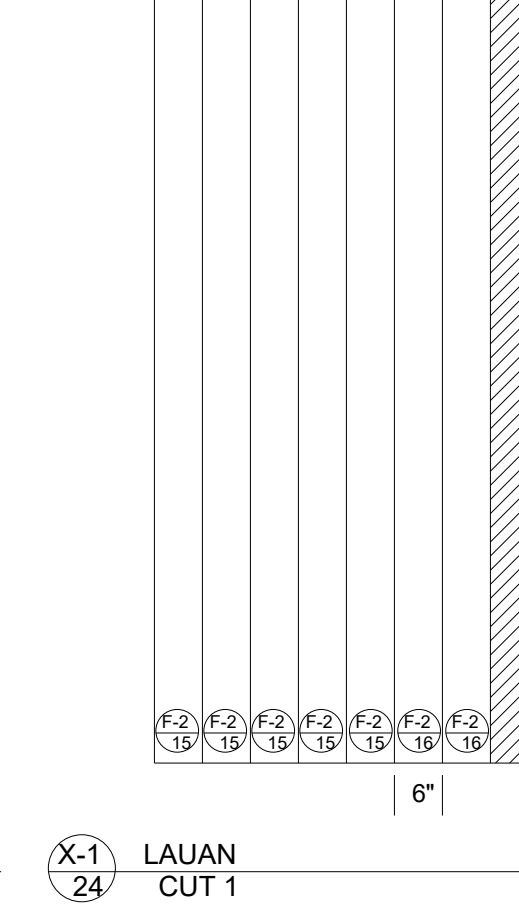
X-1
21
LAUAN
CUT 1



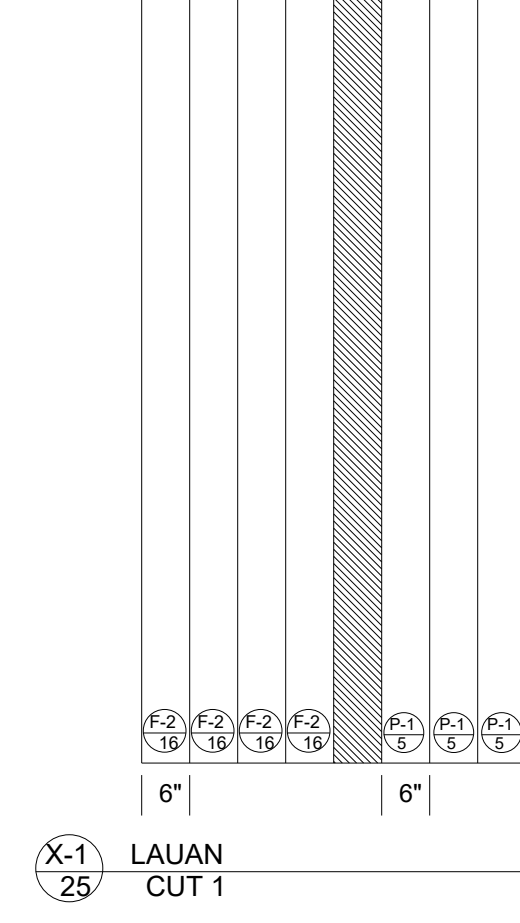
X-1
22
LAUAN
CUT 1



X-1
23
LAUAN
CUT 1



X-1
24
LAUAN
CUT 1



X-1
25
LAUAN
CUT 1

